

Data Sheet

1377 Duragauge® Pressure Gauge

FEATURES

- Solid front safety case with pressure relief back
- Dial sizes 4½", 6" and 8½"
- ±0.5% of span (ASME B40.100 Grade 2A)
- Customizable dial printing options

TYPICAL USES

- Refineries
- Chemical and petrochemical plants
- Offshore oil rigs
- Water and wastewater pressure control
- Pulp and water
- Mining and metals
- Equipment skids
- Specialized OEM equipment



1377
4½" dial size



SPECIFICATIONS

Accuracy:	±0.5% of span (ASME B40.100 Grade 2A)
Dial Sizes:	4½", 6", 8½"
Process Connection:	¼ NPT, ½ NPT, ¾" -18 UNF-2B (high pressure connection)
Process Connection Location:	Lower, back
Ranges:	Vacuum, compound to 30,000 psi
Case Style:	Solid front with pressure relief back
Movement:	Rotary, adjustable, 400 SS, Teflon® coated
Window Material:	Glass (STD.), safety glass, acrylic, non-glare glass (OPT.)
Pointer:	Micrometer, adjustable, aluminum, maximum
Weather Protection:	Dry case: Case not sealed, recommended for weather protected environment only
Mounting:	Stem, surface, flush or remote
Dampening:	PLUS! ™ Performance
Approvals:	CRN

WETTED COMPONENTS

Bourdon Tube	Process Connection	Joints
316L SS	316L SS	Welded
316L SS	Steel	Welded
K-Monel® 500 Tube	Monel® 400	Welded
C510 Phos. Bronze	Brass	Silver brazed

NON-WETTED COMPONENTS

Case	Ring	Back Cover
Aluminum, black epoxy	Steel, hinged, black enamel	300 SS

KEY BENEFITS

- Ideal for panel mounting
- Available 8½" dial size for remote reading

MIN/MAX TEMPERATURE LIMITS

Version	Ambient	Process	Storage
Dry	-20 °F to 200 °F (-29 °C to 93 °C)	-20 °F to 250 °F (-29 °C to 121 °C)	-40 °F to 250 °F (-40 °C to 121 °C)

Data Sheet

1377 Duragauge® Pressure Gauge

ORDERING CODE	Example:	451377	S	S	04	L	XLL	15#
Dial Size/Model Code								
451377 - 4½" aluminum case		451377						
601377 - 6" aluminum case								
851377 - 8½" aluminum case								
System (tube and process connection)								
A - Bronze tube, brass process connection, max. pressure connection 1,000 psi								
P - K-Monel® 500 tube, Monel® 400 process connection, max. pressure 30,000 psi								
R - 316L SS tube, steel process connection, max. pressure 20,000 psi								
S - 316 SS tube and 316L SS process connection, max. pressure 20,000 psi			S					
WW - Inconel® 718 tube and process connection								
Case Design								
S - Solid front case, dry								
Process Connection Sizes								
02 - ¼ NPT Male, N/A for ranges over 20,000 psi								
04 - ½ NPT Male, N/A for ranges over 20,000 psi					04			
09 - ⅝ 18 UNF-2B, high pressure fitting, standard for pressures over 20,000 psi								
Process Connection Location								
L - Lower						L		
B - Back								
D - Side (3 o'clock)								
E - Side connection (9 o'clock)								
T - Top connection								
Options (If choosing an option(s) must include a "X") (See table 1 on page 3 for more options)								
LL - PLUS! ™ Performance							X	LL
NZ - PLUS! ™ Performance, silicone free								
6B - Cleaned for gaseous, oxygen service								
NH - Stainless Steel tag wired to case								
5G - Attach one accessory to gauge. Applicable to PL02 pressure limiting valve, V01,V02 valves, 1098, 1100, 1198, 2198 siphons, 7001, 7004 needle valves, 1115 capillary, 1106 pulsation dampner, 1112, PD02 pressure snubbers, MDV swivel adapter, 2265 electric warning contact								
Range (coding examples only, see range table on page 4 for all standard ranges)								
Single Scales								
15# - 15 psi								15#
1BR - 1 bar								
1KG - 1 kg/sm ²								
100KP - 100 kPa								
Dual Scales								
15#/BR - 15 psi inner scale, 1 bar outer scale								
1BR/# - 1 bar inner scale, 15 psi outer scale								

When selecting a diaphragm seal or isolation ring, refer to the [Min/Max Guide](#) for compatibility with this gauge or scan the QR code to the right.



1377 Duragauge[®] Pressure Gauge

TABLE 1 (Ordering Codes Continued)

CODE	OPTION
AB	Gauges calibrated to compensate for absolute pressure
DA	Dial marking (text marking on the dial)
EP	Maximum pointer (adjustable, N/A with liquid filled or hermetically sealed cases)
HY	Hydrostatic/pneumatic testing (system pressurized to 150% of rated system pressure for 5 minutes. Overload stop STD.)
NG	Non-glare glass (N/A with liquid fill or hermetically sealed cases)
OS	Overload stop
PD	Acrylic window (STD. with liquid filled or hermetically sealed cases)
SH	Red set hand, stationary
SG	Safety glass
TS	Throttle screw (STD. with liquid filled, hermetically sealed or PLUS! [™] Performance)
VS	Underload stop
C4	Individual calibration chart (in accordance with ASME B40.100:2013. Accuracy traceable to NIST)
D3	DuraVis [™] retroreflective dial (4½" and dry case only)

1377 Duragauge[®] Pressure Gauge

STANDARD PRESSURE RANGES					
	psi	bar	kPa	mPa	kg/cm²
Vacuum	30IMV	N1BR	N100KP	N1MP	N1KG
	-	N1/0.6BR	N100/60KP	0.1/0.06MP	N1/0.6KG
	V/15#	-	-	-	-
Compound	-	N1/1.5BR	N100/150KP	N.1/0.15MP	N1/1.5KG
	V/30#	-	-	-	-
	-	N1/3BR	N100/300KP	N.1/0.3MP	N1/3KG
	V/60#	-	-	-	-
	-	N1/5BR	N100/500KP	N.1/.5MP	N1/5KG
	V/100#	-	-	-	-
	-	N1/9BR	N100/900KP	N.1/.9MP	N1/9KG
	15#	1BR	100KP	0.1MP	1KG
	20#	-	-	-	-
	-	1.6BR	160KP	0.16MP	1.6KG
Positive Pressure	30#	-	-	-	-
	-	2.5BR	250KP	0.25MP	2.5KG
	60#	4BR	400KP	0.4MP	4KG
	-	6BR	600KP	0.6MP	6KG
	100#	-	-	-	-
	120#	-	-	-	-
	-	10BR	1000KP	1MP	10KG
	160#	-	-	-	-
	200#	-	-	-	-
	-	16BR	1600KP	1.6MP	16KG
	300#	-	-	-	-
	-	25BR	2500KP	2.5MP	25KG
	400#	-	-	-	-
	500#	-	-	-	-
	600#	40BR	4000KP	4MP	40KG
	800#	-	-	-	-
	-	60BR	6000KP	6MP	60KG
	1000#	-	-	-	-
	1500#	100BR	10000KP	10MP	100KG
	2000#	-	-	-	-
	-	160BR	16000KP	16MP	160KG
	3000#	-	-	-	-
	-	250BR	25000KP	25MP	250KG
	4000#	-	-	-	-
	5000#	-	-	-	-
	6000#	400BR	40000KP	40MP	400KG
	8000#	-	-	-	-
	-	600BR	60000KP	60MP	600KG
	10000#	-	-	-	-
	15000#	1000BR	100000KP	100MP	1000KG
20000#	-	-	-	-	
-	1600BR	-	160MP	1600KG	
30000#	-	-	-	-	
-	2500BR	-	250MP	2500KG	
50000#	-	-	-	-	
-	4000BR	-	400MP	4000KG	
80000#	-	-	-	-	
-	6000BR	-	600MP	6000KG	
100000#	-	-	-	-	

1377 Duragauge® Pressure Gauge

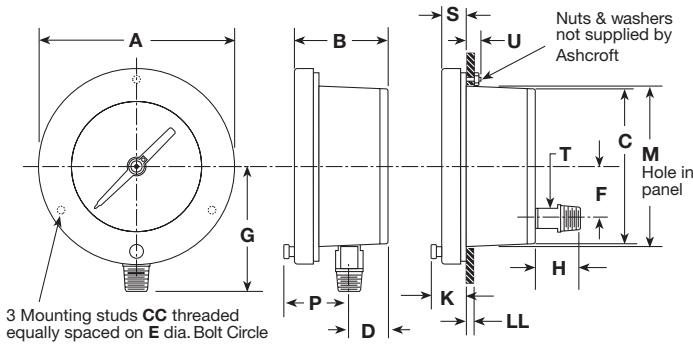
DIMENSIONS in [] are millimeters

Drawings are for reference only, consult Ashcroft for specific dimensional drawings.

Dial Size Inches	A	B	C	D	E	F	G	H	K	M	P	S	T	U	CC	LL	Weight (lbs)
4½	6 [152]	2⅞ [73]	4¾ [121]	1⅛ [27]	5⅞ [137]	1⅝ [41]	3⅟ ₁₆ [100]	1⅜ [35]	1⅛ [27]	4⅞ [124]	2⅞ [54]	⅝ [16]	⅝ [16]	¾ [19]	#10-24	⅛-½ [3][13]	2.5
6	7⅞ [192]	2⅞ [73]	4¾ [121]	1⅛ [27]	7 [178]	1⅝ [41]	4½ [114]	1⅜ [35]	1⅛ [27]	6½ [165]	2⅞ [54]	⅝ [16]	⅝ [16]	¾ [19]	¼-20	⅛-½ [3][13]	2.5
8½	10⅞ [257]	2⅞ [73]	4¾ [121]	1⅛ [27]	9⅞ [244]	1⅝ [41]	6 [152]	1⅜ [35]	1⅛ [27]	9 [229]	2⅞ [54]	⅝ [16]	⅝ [16]	¾ [19]	¼-20	⅛-½ [3][13]	4.5

1377 4½" and 6" lower connection

1377 4½" and 6" back connection



1377 8½" lower connection

1377 8½" back connection

