



UNITED BRASS WORKS, INC.

714 S. Main St. Randleman, N.C. 27317

Tel: 800-334-3035 Fax: 800-498-4696 www.ubw.com



Model 15 Gate Valve (Conforms to MSS-SP-80-97)

125 WSP @ 350 ° Max

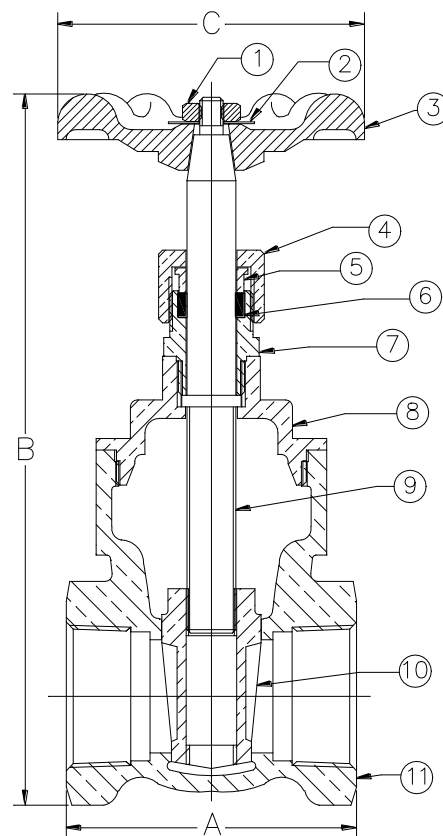
200 WOG * 100% Pressure Tested

Threaded Ends * Non-Rising Stem

Contains Lead. Not Intended for Use in Potable Water Systems

MATERIAL LIST

NO.	DESCRIPTION	MATERIAL
1	Nut	Steel
2	Marker Disc	Aluminum
3	Hand Wheel	Ductile Iron
4	Packing Nut	Brass
5	Packing Gland	Brass
6	Packing	NAFG
7	Upper Bonnet	Bronze
8	Lower Bonnet	Bronze
9	Stem	Brass
10	Wedge	Brass
11	Body	Bronze



Size	1"	1 1/4"	1 1/2"	2"	2 1/2"
A	2.44	2.64	2.95	3.30	4.09
B	4.49	4.76	5.51	6.89	8.07
C	2.87	3.15	3.70	4.33	4.76
Ship Wgt. (lbs.)	1.50	2.10	2.80	4.30	9.20
Qty. Per Ctn.	5	5	5	2	2