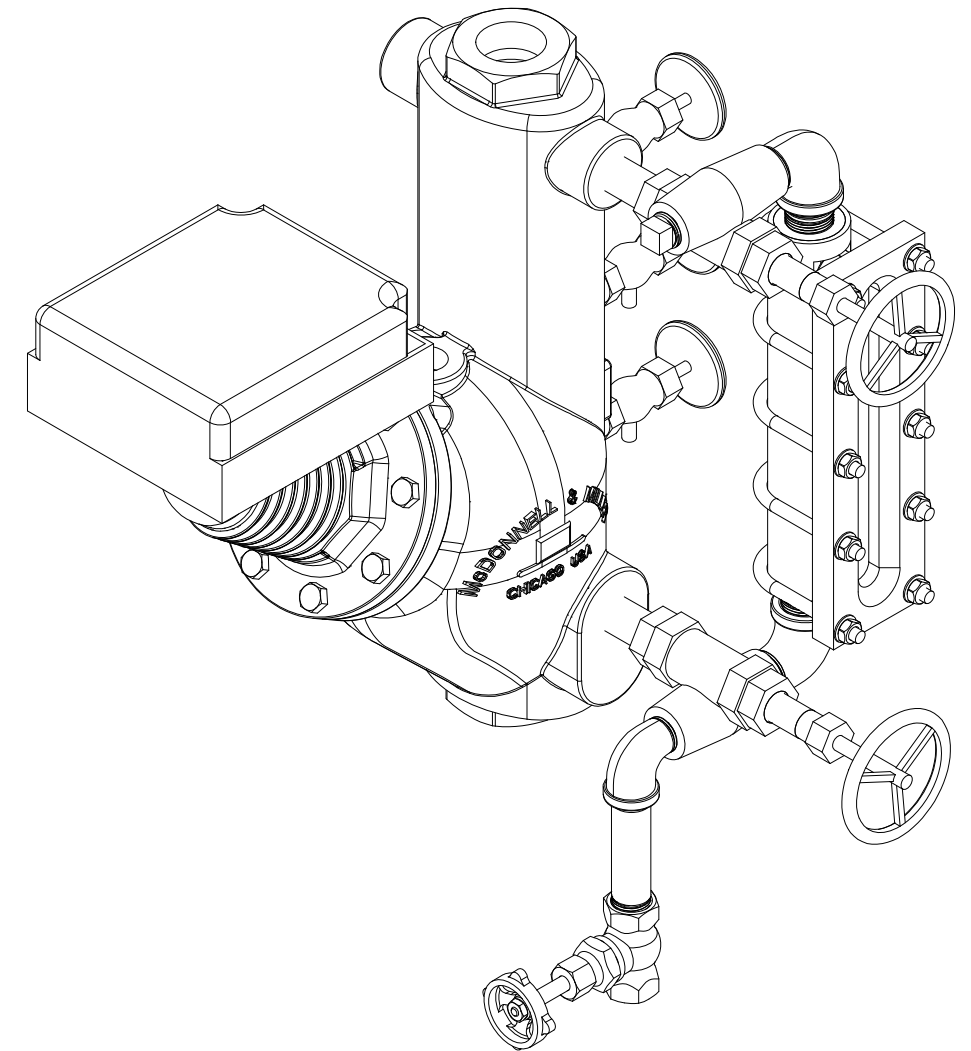
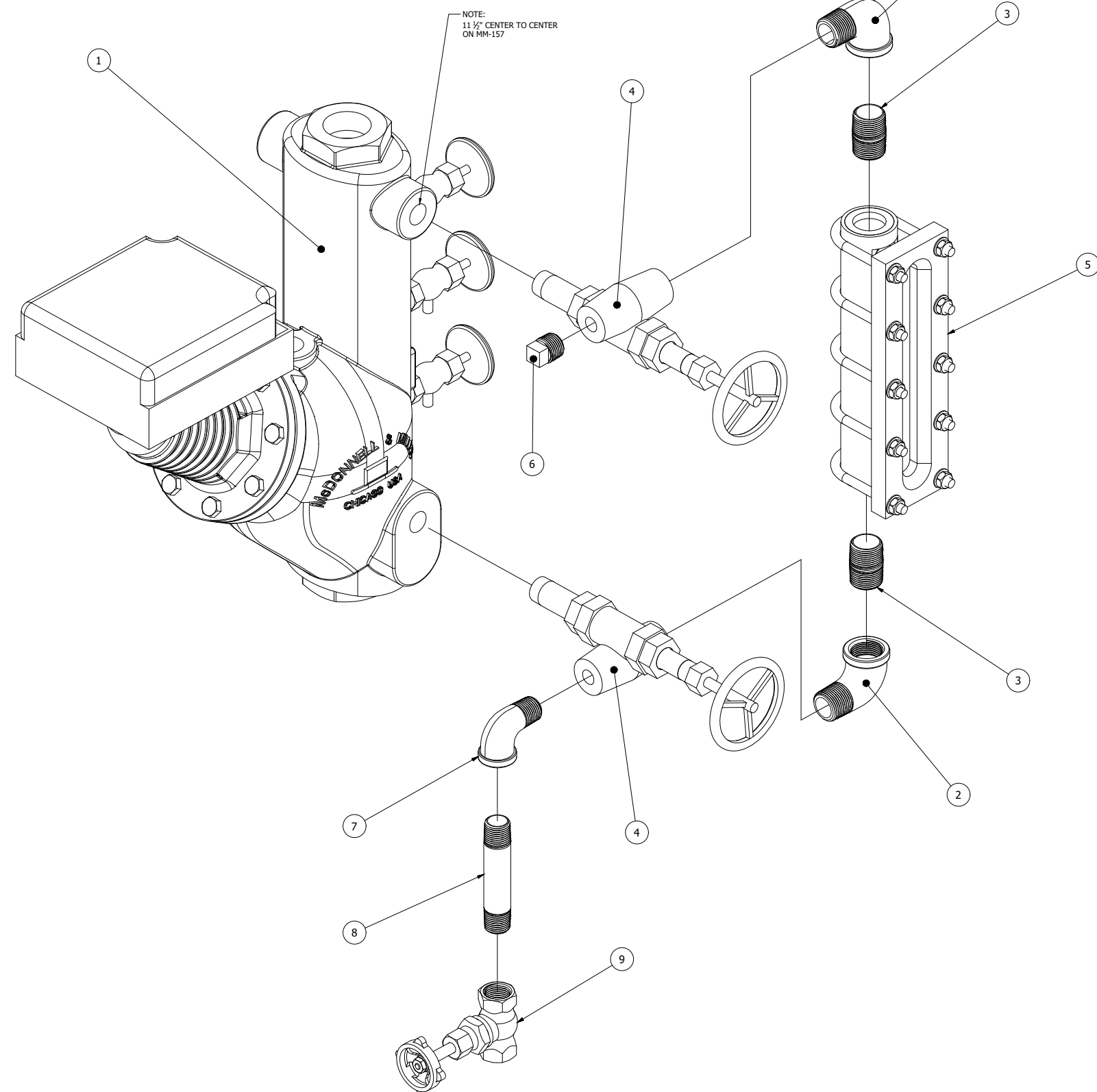


PARTS LIST		
ITEM	QTY	DESCRIPTION
1	1	MCDONNELL & MILLER-157 (MM-157) LOW WATER CUTOFF
2	2	3/4" STREET 90° ELBOW
3	2	3/4" X 1 1/2" SCH. 80 NIPPLE
4	2	1/2" M X 3/4" F X 1/2" M CLARK RELIANCE - SERIES 66 SAFETY BALLCHECK VALVE
5	1	JERGUSON MEDIUM PRESSURE GLASS LIQUID LEVEL GAGE - SERIES 20
6	1	1/2" PLUG
7	1	1/2" STREET 90° ELBOW
8	1	1/2" X 4" SCH. 80 NIPPLE
9	1	CRANE 300# GATE VALVE



GENERAL NOTES:

DRAWN BY: BC 04/24/2020

APPROVED BY: XX ###/##/####

REVISED BY: XX ###/##/####

NOTICE: THIS DRAWING IS THE SOLE PROPERTY OF WARE INC. AND MAY NOT BE REPRODUCED OR DISTRIBUTED IN ANY MANNER WITHOUT WRITTEN PERMISSION FROM WARE INC. DRAWING IS FOR REFERENCE ONLY.

THIRD ANGLE PROJECTION

PROJECT NAME:

MCDONNELL & MILLER 157

SIZE: B DWG.#: PID_001

FILE NAME: MM-157 PIPING

REV: 0

SCALE: NTS TYPE: PIPING & INSTRUMENT SHEET: 1/1

