



ELECTRONIC IGNITORS INSTRUCTION MANUAL - TYPE 2260-TP, 2260-TW, 2260-TWG & 2260-P

INTRODUCTION:

This instruction manual provides you with the application information on the 2260-TP, 2260-TW, 2260-TWG and 2260-P electronic ignitors. These devices are designed for **constant duty** and provide the most reliable ignition source for commercial/industrial gas applications. Before proceeding, identify the model you are installing by the mechanical specifications on reverse side.

ABSOLUTE MINIMUM READINGS:

Input Supply Voltage (VDC):	108-132
Input Supply Frequency (Hz):	50/60
Primary Volt - Amperes (VA)	72
Secondary Voltage (kV peak):	15.6
Secondary Frequency (kHz):	-
Secondary Short Circuit Current (mA):	28
Storage Temperature:	-40 to +80
Operating Temperature:	-30 to +40
Operating Relative Humidity (%):	90
Loading Air Gap (inches):	1/16 to 1/8

INSTALLATION:

Install the ignitor assembly on the burner and route the primary leads to the junction box or control panel for connection. Primary cord sets: Models 2260-TP and 2260-P are shipped with primary plug set. Model 2260-TW has traditional bottom exit pigtails and optional knockouts on case bottom for routing of primary wire to junction box. Mounting: Model 2260-P is mounted through the case (see above) and via ground tab. Models 2260-TW and 2260-TP are mounted using the ears/tabs on side of case. Connect leads as required by wiring method described in control instruction manual or by specific application requirements.

MAINTENANCE:

These ignitors have no moving parts. The only maintenance required is the cleaning of the primary and

TESTING:

WARNING

This procedure is to be carried out by qualified personnel ONLY.

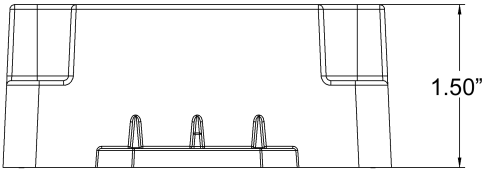
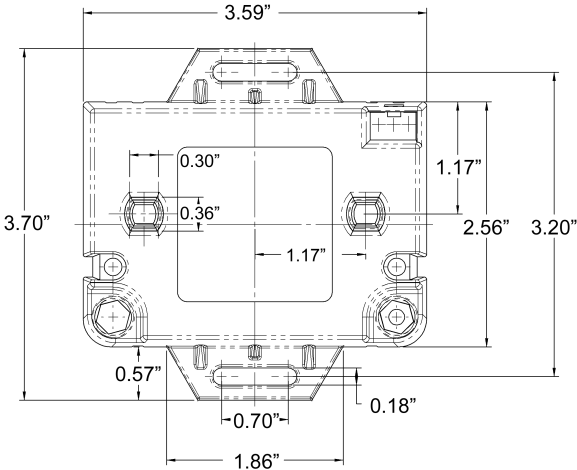
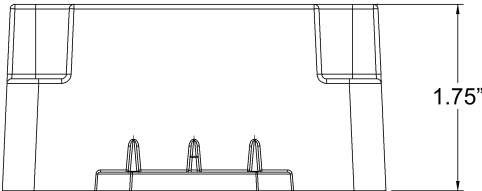
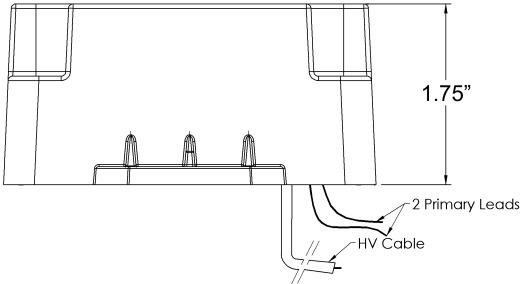
The voltages and currents available can cause serious injury and/or death. Extreme caution is to be used to avoid contact with the primary live leads. Do not allow any parts of your body to come closer than 5 inches to the energized secondary terminals or parts of the secondary circuit. Ensure the mid-point of the transformer is grounded before energizing the primary.

The 2260 Electronic Ignitors can be tested as follows to ensure they are operating properly:

Short Circuit Current Test. Route one connection on a true RMS high frequency milliammeter to the output terminal and the second connection to the ground. Energize the primary with 120 Volts at 50/60 Hz. The reading on the milliammeter should be within -15% to +10% of the rated.

Field Testing. Allanson's Chek-Mate™ Ignitor / Transformer Tester can be used to test the 6kV Ignitor. You will require a set of 2 alligator clips. Order Allanson's Chek-Mate accessory kit part #SC-2200-Kit. Ensure unit is grounded and powered OFF before proceeding. Jump out oper. controls or thermostat/aquastat. Route 1 alligator clip from sphere of Chek-Mate to secondary wire, and second alligator clip to run from sphere on Chek-Mate to ground. Power on burner and if the LED light is green (no more than 3 seconds), unit is good.

MECHANICAL SPECIFICATIONS:

MODEL	SIDE VIEW	TOP VIEW
2260-TP		
2260-TW		
2260-TWG		
2260-P	