



## Series 64 Low Water Cut-Off

### Typical Applications:

- Primary or secondary low water cut-off for hot water and steam boilers.
- Low water cut-off
- High water cut-off
- Alarm actuator

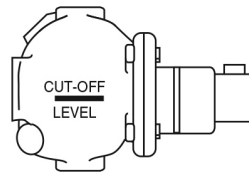
### OPERATION

Maximum Boiler Pressure: 50 psi (3.5 kg/cm<sup>2</sup>)

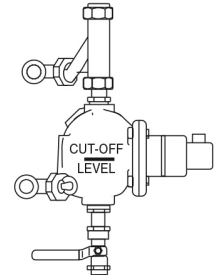
### Electrical Ratings

Voltage	Motor Switch Rating (Amperes)		Pilot Duty
	Full Load	Locked Rotor	
120 VAC	7.4	44.4	125 VA at
240 VAC	3.7	22.2	120 or 240 VAC

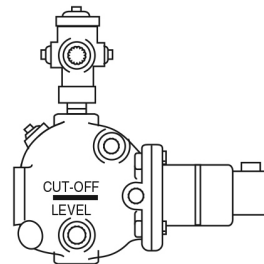
NOTE: 11MV is rated 24VA @ 24VAC to 120VAC.



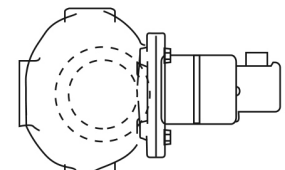
Model 64



Model 64-A



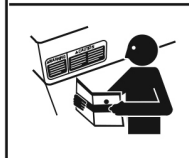
Model 64-CB



Model 764



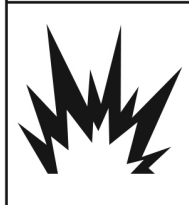
## WARNING



- Before using this product read and understand instructions.
- Save these instructions for future reference.
- All work must be performed by qualified personnel trained in the proper application, installation, and maintenance of plumbing, steam, and electrical and/or systems in accordance with all applicable codes and ordinances.



- To prevent serious burns, the boiler must be cooled to 80°F (27°C) and the pressure must be 0 psi (0 bar) before servicing.
- To prevent electrical shock, turn off the electrical power before making electrical connections.
- This low water cut-off must be installed in series with all other limit and operating controls installed on the boiler. After installation, check for proper operation of all of the limit and operating controls, before leaving the site.



- We recommend that secondary (redundant) Low Water Cut-Off controls be installed on all steam boilers with heat input greater than 400,000 BTU/hour or operating above 15 psi of steam pressure. At least two controls should be connected in series with the burner control circuit to provide safety redundancy protection should the boiler experience a low water condition. Moreover, at each annual outage, the low water cut-offs should be dismantled, inspected, cleaned, and checked for proper calibration and performance.



- To prevent serious personal injury from steam blow down, connect a drain pipe to the control opening to avoid exposure to steam discharge.
- To prevent a fire, do not use this low water cut-off to switch currents over 7.4A, 1/3 HP at 120 VAC or 3.7A, 1/3 HP at 240 VAC, unless a starter or relay is used in conjunction with it.
- This product can expose you to chemicals including Lead, which is known to the State of California to cause cancer and birth defects or other reproductive harm.



- Previous controls should never be installed on a new system. Always install new controls on a new boiler or system.

Failure to follow this warning could cause property damage, personal injury or death.

### CAUTION:

- A more frequent replacement interval may be necessary based on the condition of the unit at time of inspection. McDonnell & Miller's warranty is one (1) year from date of installation or two (2) years from the date of manufacture.

# INSTALLATION –

## Model 64 – For Steam Boilers with 1” (25mm) Equalizing Lines

### TOOLS NEEDED:

One (1) flathead screwdriver and two (2) pipe wrenches.

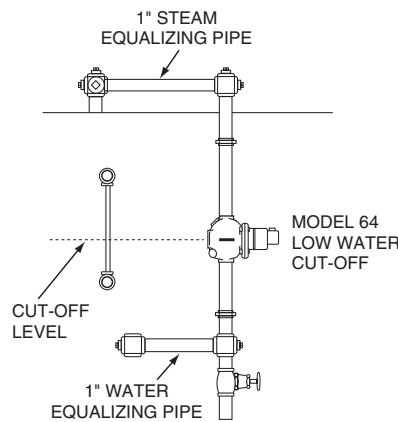
### STEP 1 - Determine the Location of the Low Water Cut-Off

- a. Whether the gauge glass is mounted directly into the boiler or on an independent water column, the cut-off line on the 64 body casting should be mounted 1/2" (15mm) above the lowest visible point of the gauge glass.

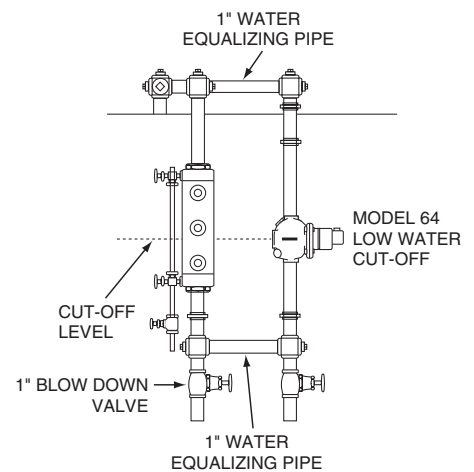
### STEP 2 - Installation of the Model 64

- a. Locate the gauge glass and determine the level that the 64 has to be mounted at in order to achieve the criteria in Step 1.
- b. Pipe the 64 following the diagrams shown to the right. Follow the diagram that represents your boiler.
- c. Crosses should be used at each right angle connection for inspection and cleaning.
- d. Make sure the blow-down valves are full port.

**Gauge Glass Mounted Directly into Boiler**



**For Boilers with Independent Water Columns**



### Test the Model 64 Before Leaving the Site

Open the blow-down valve, causing the water level to drop in the float chamber while burner is operating. As the float drops the alarm circuit (if used) closes first; then on further drop the cut-off circuit will open, shutting the burner off.

**IMPORTANT:** Instruct boiler attendant to blow down the float chamber at least once a week during the heating season, if operating pressure is below 15 psi (1 kg/cm<sup>2</sup>). If above 15 psi blow down once a day.

**NOTE:** On new boiler installations, leaky systems, or where the quality of the water is poor, blow down the control more frequently.

### CAUTION

Protect yourself when blowing down controls, hot water and steam will flow out of the drain pipe attached to the blow-down valve. Failure to follow this caution may result in serious burns.

# INSTALLATION –

## Model 64 – For Hot Water Boilers with 1" (25mm) Equalizing Lines

### TOOLS NEEDED:

One (1) flathead screwdriver and two (2) pipe wrenches.

### STEP 1 - Determine the Location of the Low Water Cut-Off

- a. The line on the casting of the model 64 must be installed above the lowest permissible water level determined by the boiler manufacturer.

### STEP 2 - Installation of the Model 64

For float type controls it is recommended that Test-N-Check® (TC-4) valves be used in the upper and lower equalizing lines. They offer a functional means for testing the 64 control, and conform to the ASME CSD-1 code.

- a. Study the figures to the right and determine which figure shows how the 64 control will be attached to the boiler.

**Figure 1.** Connect the upper equalizing pipe to the riser going to the radiation or to the compression tank. Connect the lower equalizing pipe to any available opening in the side of the boiler. **NOTE:** If no opening is available in the side of the boiler, connect the lower equalizing pipe into the drain connection.

**Figure 2.** If there is a tapping available on the top of the boiler connect the upper equalizing pipe to it. **NOTE:** During initial filling or after blow down the upper equalizing pipe and possibly the 64 control will have an air pocket. Connect a vent or bleed valve on the top of the vertical equalizing pipe. If the Test-N-Check (TC-4) valve is used the vacuum breaker can be used to bleed the air pocket.

**CAUTION:** When bleeding an air pocket manually, protect yourself from being burned with hot water.

**Figure 3.** If there is no tapping available on the boiler, connect both the upper and lower equalizing pipe into the vertical riser going to the radiation or to the compression tank. **IMPORTANT:** The horizontal equalizing pipe should not be above the horizontal run going to the radiation. If it is, an air pocket will be created and a vent or bleed will have to be installed.

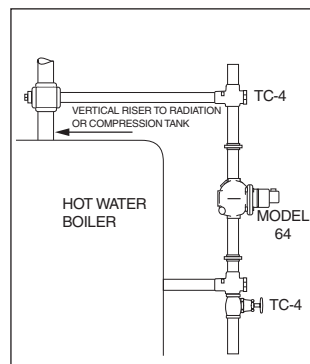


Figure 1

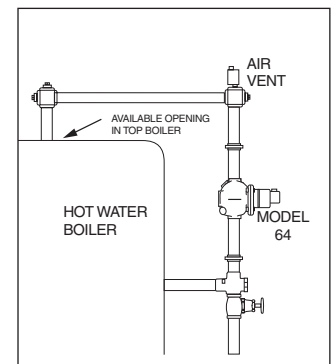


Figure 2

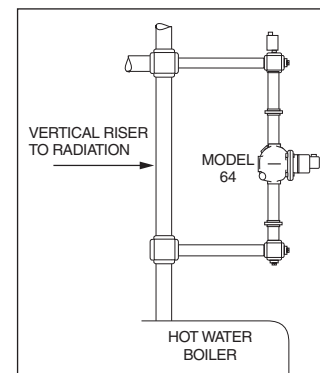


Figure 3

### Test the Model 64 Before Leaving the Site

While the burner is operating open the blow-down valve, causing the water level to drop in the float chamber. As the float drops the alarm circuit (if used) closes first; then on further drop the cut-off circuit will open, shutting the burner off. **NOTE:** If no Test-N-Checks (TC-4) valves were used, do this test before filling the system completely.

**IMPORTANT:** Instruct boiler attendant to blow down the float chamber at least once a week during the heating season, if operating pressure is below 15 psi (1 kg/cm<sup>2</sup>). If above 15 psi blow down once a day.

**NOTE:** On a new boiler installation, leaky system, or where the quality of the water is poor, blow down the control more frequently.

### CAUTION

Protect yourself when blowing down controls, hot water will flow out of the drain pipe attached to the blow-down valve. Failure to follow this caution may result in serious burns.

# INSTALLATION –

## Model 764 – For Steam or Hot Water Boilers

### TOOLS NEEDED:

One (1) flathead screwdriver and two (2) pipe wrenches.

### STEP 1 - For Steam or Hot Water Boilers where 2 1/2" (65mm) Tapping is Provided

- a. See figure 1. The 2 1/2" (65mm) tapping on the boiler has to be above the minimum safe operating level, as determined by the boiler manufacturer. On steam boilers, make sure the line on the casting is above the lower gauge glass nut. **NOTE:** Do **not** reduce the 2 1/2" (65mm) tapping, as this would compromise low water protection.

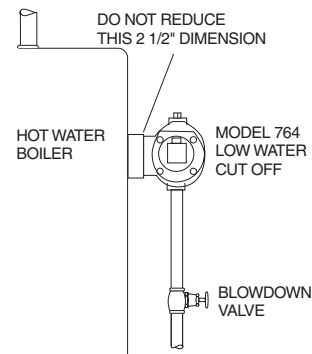


Figure 1

### STEP 2 - For Hot Water Boilers where 2 1/2" (65mm) Tapping is not Provided

- a. See figure 2. If there are no 2 1/2" (65mm) tapings on a hot water boiler, the 764 control can be mounted on a 2 1/2" (65mm) tee on the riser going to the radiation or compression tank. **NOTE:** Do **not** reduce the 2 1/2" (65mm) tapping, as this would compromise low water protection.

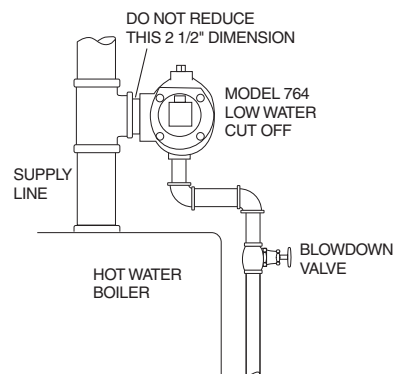


Figure 2

### Test the Model 764 Before Leaving the Site

While the burner is operating open the blow-down valve, causing the water level to drop in the float chamber. As the float drops the alarm circuit (if used) closes first; then on further drop the cut-off circuit will open, shutting the burner off. **NOTE:** If no Test-N-Checks (TC-4) valves were used, do this test before filling the system completely.

**IMPORTANT:** Instruct boiler attendant to blow down the float chamber at least once a week during the heating season, if operating pressure is below 15 psi (1 kg/cm<sup>2</sup>). If above 15 psi blow down once a day.

**NOTE:** On a new boiler installation, leaky system, or where the quality of the water is poor, blow down the control more frequently.

### CAUTION

Protect yourself when blowing down controls, hot water will flow out of the drain pipe attached to the blow-down valve. Failure to follow this caution may result in serious burns.

# INSTALLATION –

## Model 64-A – For Steam Boilers Using Quick Hook-up Fittings

### TOOLS NEEDED:

One (1) flathead screwdriver, two (2) pipe wrenches, and an adjustable wrench.

### STEP 1 - Preparing the Boiler

- a. Remove gauge glass and its trim from the boiler.

### STEP 2 - Installation of the Model 64-A

- a. See figures 1 and 2. Install both brass Y fittings (A) into the boiler gauge glass tapplings.

**NOTE:** If gauge glass tapplings are spaced more than 10 1/8" (270mm) apart, invert the Black Y (B). See figure 2. If spaced greater than 13 3/8" (339mm), substitute a longer 1/2" (15mm) nipple for original (C).

- b. See figure 3. Install reducing bushing (D) and nipple (C) into top 1" (25mm) NPT tapping (E). Install reducing bushing (F), nipple (G), and blow down valve (H) into 1" (25mm) NPT (J).

- c. See figure 3. Slip union nut (K) over lower tail piece (L) and screw it into either 1/2" (15mm) tapping (M) or (N). Use the 1/2" (15mm) pipe plug to close unused tapping. Slip union nut (O) over union piece (P) and nipple (R) and install into black Y (B). Slide black Y (B) over nipple (C). Connect upper (O) and lower (K) unions to brass Y fitting (A, figure 1) and tighten. **NOTE:** the black Y (B) will have to be moved up or down to mate the union halves. Tighten compression nut (S).

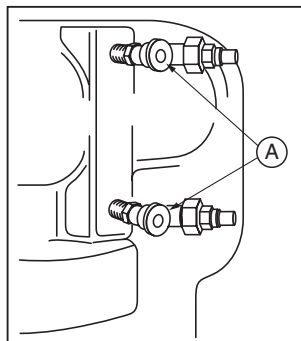


Figure 1

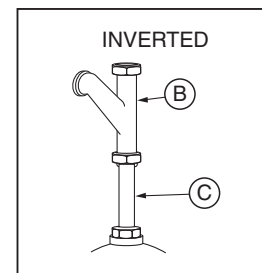


Figure 2

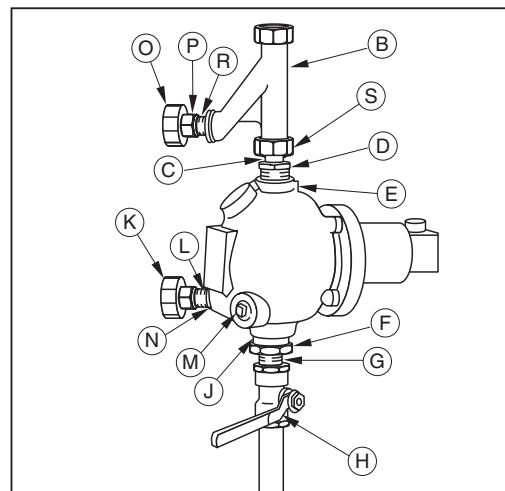


Figure 3

### Test the Model 64-A Before Leaving the Site

While the burner is operating open the blow-down valve, causing the water level to drop in the float chamber. As the float drops the alarm circuit (if used) closes first; then on further drop the cut-off circuit will open, shutting the burner off. **NOTE:** If no Test-N-Checks (TC-4) valves were used, do this test before filling the system completely.

**IMPORTANT:** Instruct boiler attendant to blow down the float chamber at least once a week during the heating season, if operating pressure is below 15 psi (1 kg/cm<sup>2</sup>). If above 15 psi blow down once a day.

**NOTE:** On a new boiler installation, leaky system, or where the quality of the water is poor, blow down the control more frequently.

### CAUTION

Protect yourself when blowing down controls, hot water will flow out of the drain pipe attached to the blow-down valve. Failure to follow this caution may result in serious burns.

## Wiring Instructions

### WARNING

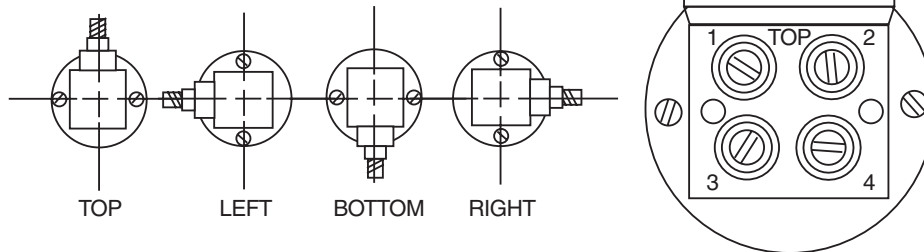
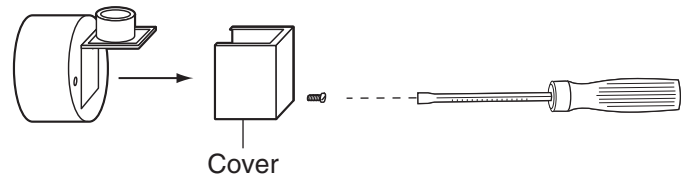


- To prevent electrical shock, turn off the electrical power before making electrical connections.
- This low water cut-off must be installed in series with all other limit and operating controls installed on the boiler. After installation, check for proper operation of all of the limit and operating controls, before leaving the site.



Failure to follow this warning could cause electrical shock, an explosion and/or a fire, which could result in property damage, personal injury or death.

Using a flathead screwdriver, remove the one (1) screw that secures the switch cover.



Electrical connector is movable into any one of four positions illustrated, by simply removing two black headed screws and rotating housing.

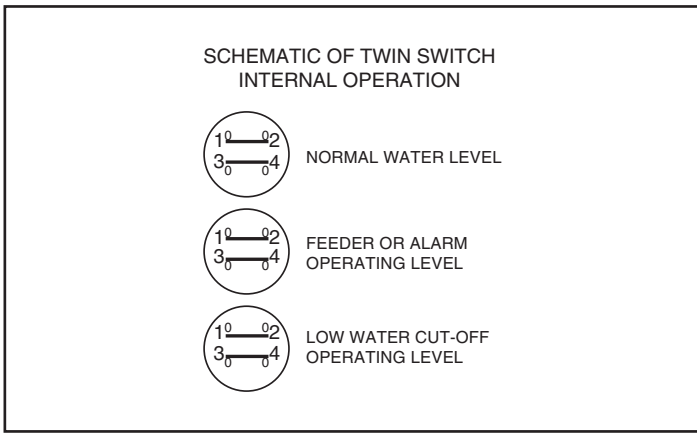
**NOTE:** This control should be wired with materials suitable for use at 75°C.

#### Switch Operation

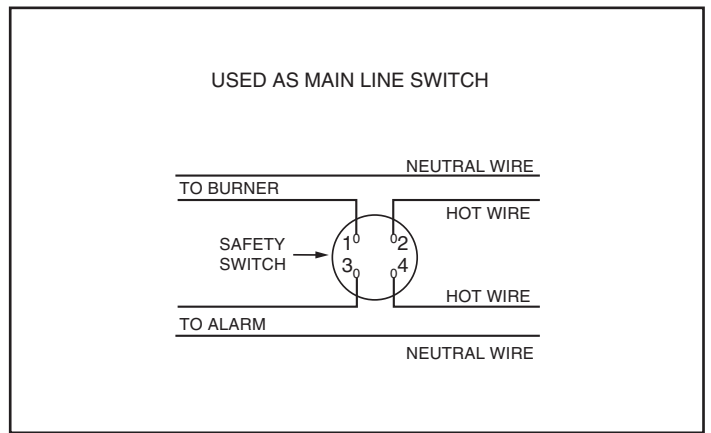
The No. 11 switch can be identified by a black terminal panel. The switch contains two (2) single pole single throw switches to control the water feeder and the low water cut-off. The low water cut-off switch is between terminals marked "1" and "2". A second switch is located between terminals marked "3" and "4". This can be used to operate a low water alarm or a McDonnell & Miller electric water feeder.

**NOTE:** Connect hot wire to terminal marked (2) ahead of all controls. See diagram 1 on the following page (page 7) for control operation. See diagrams 2-4 on the following page (page 7) for proper application wiring.

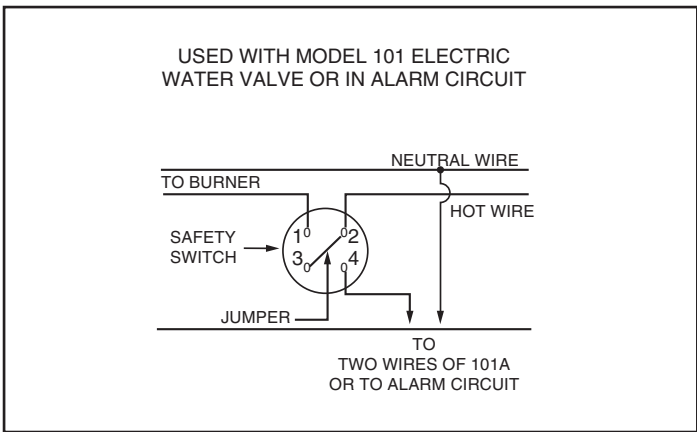
**Diagram 1**



**Diagram 2**



**Diagram 3**



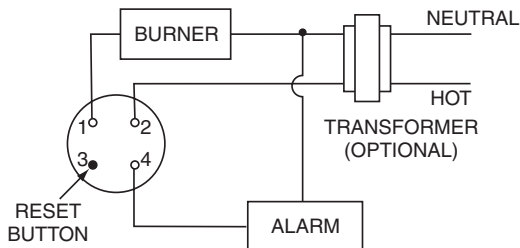
**IMPORTANT:** Low water cut-off circuit of the 64 series must be electrically wired in series with all other boiler limit operating controls.

**Model 64A-M For use on 24 or 120 VAC systems requiring manual reset on low water cut-off.**

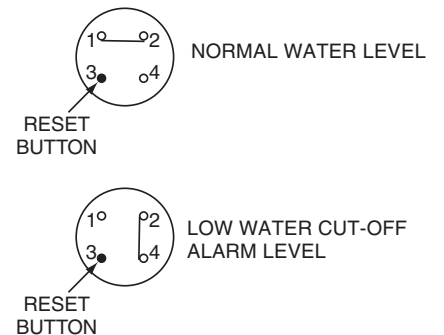
**CAUTION**

Do not electrically connect water feeder to Model 64A-M. This model includes a manual reset feature, failure to follow this caution could result in boiler flooding and property damage.

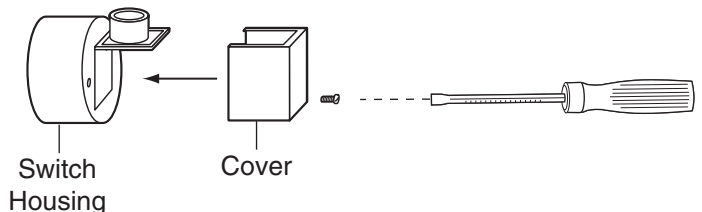
**WIRING SCHEMATIC**



**SWITCH SCHEMATIC**



Place the cover on the switch housing and, using a flathead screwdriver, tighten the one (1) screw to approximately 2 ft•lb (2.6 N•m).





# MAINTENANCE

## SCHEDULE:

- **Blow down weekly during heating season.**
- **Open up float chamber and clean annually.**  
More frequent cleaning may be necessary if there are high make-up water requirements or poor local water quality.
- **Replace control every 10 years.**

## TROUBLESHOOTING

Problem:

### 1. Burner does not shut off on low water.

- a. **Cause:** Float chamber is loaded with mud or sediment.  
**Test:** With water level below the control check if terminals 1 and 2 are open. If not, remove switch and manually test if terminals 1 and 2 can be opened.  
**Solution:** Open float chamber and clean. At this time, check for a build-up of scale or sediment between corrugations of the bellows.
- b. **Cause:** Contacts are fused together.  
**Test:** Remove switch and operate manually to verify proper switch operation.  
**Solution:** Replace switch. Check electrical load and make sure it is within the ratings of the switch.

### 2. Electric water feeder does not shut off.

- a. **Cause:** Build-up of scale or sediment between corrugations of the bellows.  
**Test:** With water level above the control, check if terminals 3 and 4 are open. If not, remove switch and manually test to verify terminals 3 and 4 can be opened.  
**Solution:** Open float chamber and replace or clean the bellows.
- b. **Cause:** Contacts are fused together.  
**Test:** Remove switch and operate manually to verify proper switch operation.  
**Solution:** Replace switch. Check electrical load and make sure it is within the ratings of the switch.

#### COMMERCIAL WARRANTY

**Warranty.** For goods sold to commercial buyers, Seller warrants the goods sold to Buyer hereunder (with the exception of membranes, seals, gaskets, elastomer materials, coatings and other "wear parts" or consumables all of which are not warranted except as otherwise provided in the quotation or sales form) will be (i) be built in accordance with the specifications referred to in the quotation or sales form, if such specifications are expressly made a part of this Agreement, and (ii) free from defects in material and workmanship for a period of one (1) year from the date of installation or two (2) years from the date of manufacture, whichever shall occur first, unless a longer period is specified in the product documentation (the "Warranty").

Except as otherwise required by law, Seller shall, at its option and at no cost to Buyer, either repair or replace any product which fails to conform with the Warranty provided Buyer gives written notice to Seller of any defects in material or workmanship within ten (10) days of the date when any defects or non-conformance are first manifest. Under either repair or replacement option, Seller shall not be obligated to remove or pay for the removal of the defective product or install or pay for the installation of the replaced or repaired product and Buyer shall be responsible for all other costs, including, but not limited to, service costs, shipping fees and expenses. Seller shall have sole discretion as to the method or means of repair or replacement. Buyer's failure to comply with Seller's repair or replacement directions shall terminate Seller's obligations under this Warranty and render the Warranty void. Any parts repaired or replaced under the Warranty are warranted only for the balance of the warranty period on the parts that were repaired or replaced. Seller shall have no warranty obligations to Buyer with respect to any product or parts of a product that have been: (a) repaired by third parties other than Seller or without Seller's written approval; (b) subject to misuse, misapplication, neglect, alteration, accident, or physical damage; (c) used in a manner contrary to Seller's instructions for installation, operation and maintenance; (d) damaged from ordinary wear and tear, corrosion, or chemical attack; (e) damaged due to abnormal conditions, vibration, failure to properly prime, or operation without flow; (f) damaged due to a defective power supply or improper electrical protection; or (g) damaged resulting from the use of accessory equipment not sold or approved by Seller. In any case of products not manufactured by Seller, there is no warranty from Seller; however, Seller will extend to Buyer any warranty received from Seller's supplier of such products.

**THE FOREGOING WARRANTY IS EXCLUSIVE AND IN LIEU OF ANY AND ALL OTHER EXPRESS OR IMPLIED WARRANTIES, GUARANTEES, CONDITIONS OR TERMS OF WHATEVER NATURE RELATING TO THE GOODS PROVIDED HEREUNDER, INCLUDING WITHOUT LIMITATION ANY IMPLIED WARRANTIES OF MERCHANTABILITY AND FITNESS FOR A PARTICULAR PURPOSE, WHICH ARE HEREBY EXPRESSLY DISCLAIMED AND EXCLUDED. EXCEPT AS OTHERWISE REQUIRED BY LAW, BUYER'S EXCLUSIVE REMEDY AND SELLER'S AGGREGATE LIABILITY FOR BREACH OF ANY OF THE FOREGOING WARRANTIES ARE LIMITED TO REPAIRING OR REPLACING THE PRODUCT AND SHALL IN ALL CASES BE LIMITED TO THE AMOUNT PAID BY THE BUYER FOR THE DEFECTIVE PRODUCT. IN NO EVENT SHALL SELLER BE LIABLE FOR ANY OTHER FORM OF DAMAGES, WHETHER DIRECT, INDIRECT, LIQUIDATED, INCIDENTAL, CONSEQUENTIAL, PUNITIVE, EXEMPLARY OR SPECIAL DAMAGES, INCLUDING BUT NOT LIMITED TO LOSS OF PROFIT, LOSS OF ANTICIPATED SAVINGS OR REVENUE, LOSS OF INCOME, LOSS OF BUSINESS, LOSS OF PRODUCTION, LOSS OF OPPORTUNITY OR LOSS OF REPUTATION.**

#### LIMITED CONSUMER WARRANTY

**Warranty.** For goods sold for personal, family or household purposes, Seller warrants the goods purchased hereunder (with the exception of membranes, seals, gaskets, elastomer materials, coatings and other "wear parts" or consumables all of which are not warranted except as otherwise provided in the quotation or sales form) will be free from defects in material and workmanship for a period of one (1) year from the date of installation or two (2) years from the product date code, whichever shall occur first, unless a longer period is provided by law or is specified in the product documentation (the "Warranty").

Except as otherwise required by law, Seller shall, at its option and at no cost to Buyer, either repair or replace any product which fails to conform with the Warranty provided Buyer gives written notice to Seller of any defects in material or workmanship within ten (10) days of the date when any defects or non-conformance are first manifest. Under either repair or replacement option, Seller shall not be obligated to remove or pay for the removal of the defective product or install or pay for the installation of the replaced or repaired product and Buyer shall be responsible for all other costs, including, but not limited to, service costs, shipping fees and expenses. Seller shall have sole discretion as to the method or means of repair or replacement. Buyer's failure to comply with Seller's repair or replacement directions shall terminate Seller's obligations under this Warranty and render this Warranty void. Any parts repaired or replaced under the Warranty are warranted only for the balance of the warranty period on the parts that were repaired or replaced. The Warranty is conditioned on Buyer giving written notice to Seller of any defects in material or workmanship of warranted goods within ten (10) days of the date when any defects are first manifest.

Seller shall have no warranty obligations to Buyer with respect to any product or parts of a product that have been: (a) repaired by third parties other than Seller or without Seller's written approval; (b) subject to misuse, misapplication, neglect, alteration, accident, or physical damage; (c) used in a manner contrary to Seller's instructions for installation, operation and maintenance; (d) damaged from ordinary wear and tear, corrosion, or chemical attack; (e) damaged due to abnormal conditions, vibration, failure to properly prime, or operation without flow; (f) damaged due to a defective power supply or improper electrical protection; or (g) damaged resulting from the use of accessory equipment not sold or approved by Seller. In any case of products not manufactured by Seller, there is no warranty from Seller; however, Seller will extend to Buyer any warranty received from Seller's supplier of such products.

**THE FOREGOING WARRANTY IS PROVIDED IN PLACE OF ALL OTHER EXPRESS WARRANTIES. ALL IMPLIED WARRANTIES, INCLUDING BUT NOT LIMITED TO THE IMPLIED WARRANTIES OF MERCHANTABILITY AND FITNESS FOR A PARTICULAR PURPOSE, ARE LIMITED TO ONE (1) YEAR FROM THE DATE OF INSTALLATION OR TWO (2) YEARS FROM THE PRODUCT DATE CODE, WHICHEVER SHALL OCCUR FIRST. EXCEPT AS OTHERWISE REQUIRED BY LAW, BUYER'S EXCLUSIVE REMEDY AND SELLER'S AGGREGATE LIABILITY FOR BREACH OF ANY OF THE FOREGOING WARRANTIES ARE LIMITED TO REPAIRING OR REPLACING THE PRODUCT AND SHALL IN ALL CASES BE LIMITED TO THE AMOUNT PAID BY THE BUYER FOR THE DEFECTIVE PRODUCT. IN NO EVENT SHALL SELLER BE LIABLE FOR ANY OTHER FORM OF DAMAGES, WHETHER DIRECT, INDIRECT, LIQUIDATED, INCIDENTAL, CONSEQUENTIAL, PUNITIVE, EXEMPLARY OR SPECIAL DAMAGES, INCLUDING BUT NOT LIMITED TO LOSS OF PROFIT, LOSS OF ANTICIPATED SAVINGS OR REVENUE, LOSS OF INCOME, LOSS OF BUSINESS, LOSS OF PRODUCTION, LOSS OF OPPORTUNITY OR LOSS OF REPUTATION.**

Some states do not allow limitations on how long an implied warranty lasts, so the above limitation may not apply to you. Some states do not allow the exclusion or limitation of incidental or consequential damages, so the above exclusions may not apply to you. This warranty gives you specific legal rights, and you may also have other rights which may vary from state to state.

To make a warranty claim, check first with the dealer from whom you purchased the product or call +1-847-966-3700 for the name and location of the nearest dealer providing warranty service.

**xylem**  
Let's Solve Water

Xylem Inc.  
8200 N. Austin Avenue  
Morton Grove, Illinois 60053  
Phone: (847) 966-3700  
Fax: (847) 965-8379  
[www.xylem.com/mcdonnellmiller](http://www.xylem.com/mcdonnellmiller)

McDonnell & Miller is a trademark of Xylem Inc. or one of its subsidiaries.  
© 2019 Xylem Inc. MM-200K March 2019 Part No. 245632

