

# 65UV5 INTEGRATED FLAME SCANNER WITH INTERNAL FLAME RELAY

Bulletin CU-104

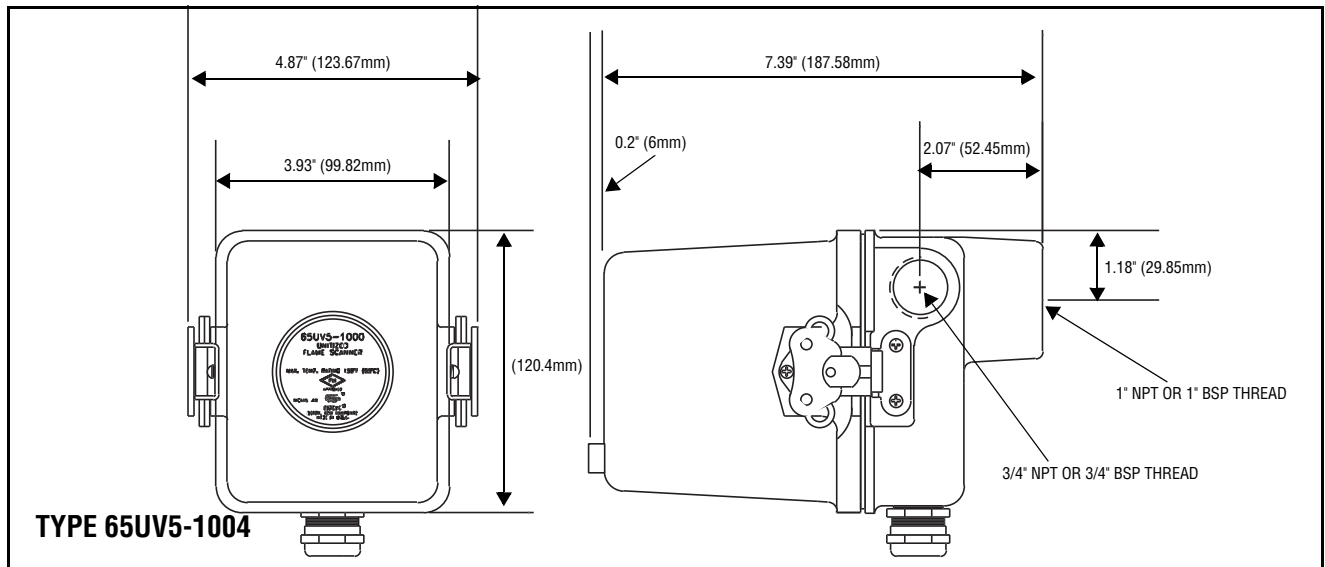
The 65UV5 flame scanner is a micro-processor based flame scanner that incorporates an internal single pole, single throw (normally open) flame relay with a fixed on/off threshold to provide flame on/flame off indication, eliminating the need of an external flame amplifier. The scanner utilizes an ultra-violet tube type sensor, and electromechanical self-checking shutter mechanism. The housing has a NEMA 4X / IP66 rating and is suitable for use in Class I Division II, Group A, B, C & D "hazardous environments". Models are available with a 4-second or a 1-second flame failure response time (FFRT).

The Fireye 65UV5 flame scanner is powered by 24 vdc and includes an integral 10-foot (3 meter) eight-conductor cable with cable gland. A two color internal LED indicates flame status (off/on) and alarm condition. This can be viewed through a viewing lens on the rear of the housing. The scanner provides an analog 4-20mA output for remote indication of flame signal strength.

Fireye 65UV5 self-checking scanners are used to detect ultraviolet emissions from fossil fuel flames such as natural gas, coke oven gas, propane, methane, butane, kerosene, light petroleum distillates and diesel fuels.



## DIMENSIONS



PART NUMBER	DESCRIPTION
65UV5-1004	Integrated Flame Scanner with 1" NPT mounting flange and 4 second FFRT, FM approved.
65UV5-1004E	Integrated Flame Scanner with 1" BSP mounting flange and 1 second FFRT, FM & CE approved.
65UV5-1004ECEX	Integrated flame scanner, 1 second FFRT, in Exd II c T6 hazardous area housing, ATEX approved (mounting flange ordered separately)
129-168-1	1"NPT mounting flange for 65UV5-1004ECEX
129-168-2	1"BSP mounting flange for 65UV5-1004ECEX