

## Low Water Cut-Offs – Float Type For Steam Boilers

### Series 67

#### Low Water Cut-Offs

#### Replacement Head Mechanisms

For Model	Repl. Head Model No.	Part Number	Description	Weight lbs. (kg)
67				
67-LQHU	6667	153825	Head mechanism	1.5 (0.7)
67-G	6667MV	153850	6667 for Millivolt service	1.5 (0.7)



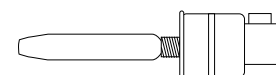
**Series 67**



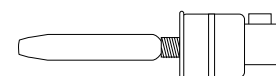
**Model 67-LQHU  
(without quick hook-up fittings)**

#### Components (shown on page 15)

Item Number	Part Number	Model Number	Description	Weight lbs. (kg)
1	344100	SA66-35	Upper tube assembly	1.0 (0.5)
2	334600	MA559	Quick hook-up fittings	2.5 (1.1)
3	318900	67-12	Gasket (10 pack)	0.1 (.05)
4	344200	SA67-2	Float and bellows assembly	1.0 (0.5)
5	309100	11	Switch	0.5 (.23)
6a	354000	e-11M-120V	Switch w/manual reset 120 Volts	2.5 (1.2)
6b	354001	e-11M-24V	Switch w/manual reset 24 Volts	2.5 (1.2)
7	309200	11-MV	No. 11 for Millivolt service	0.5 (.23)
8	310447	14-B	Blow-down valve	0.5 (.23)
9	313300	37-39	Blow-down valve gasket (10 pack)	0.1 (.05)



**Model 6667**

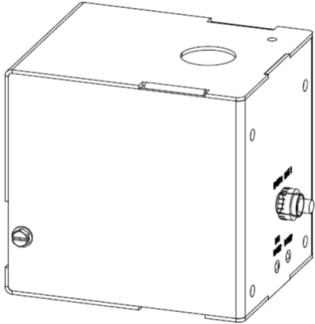
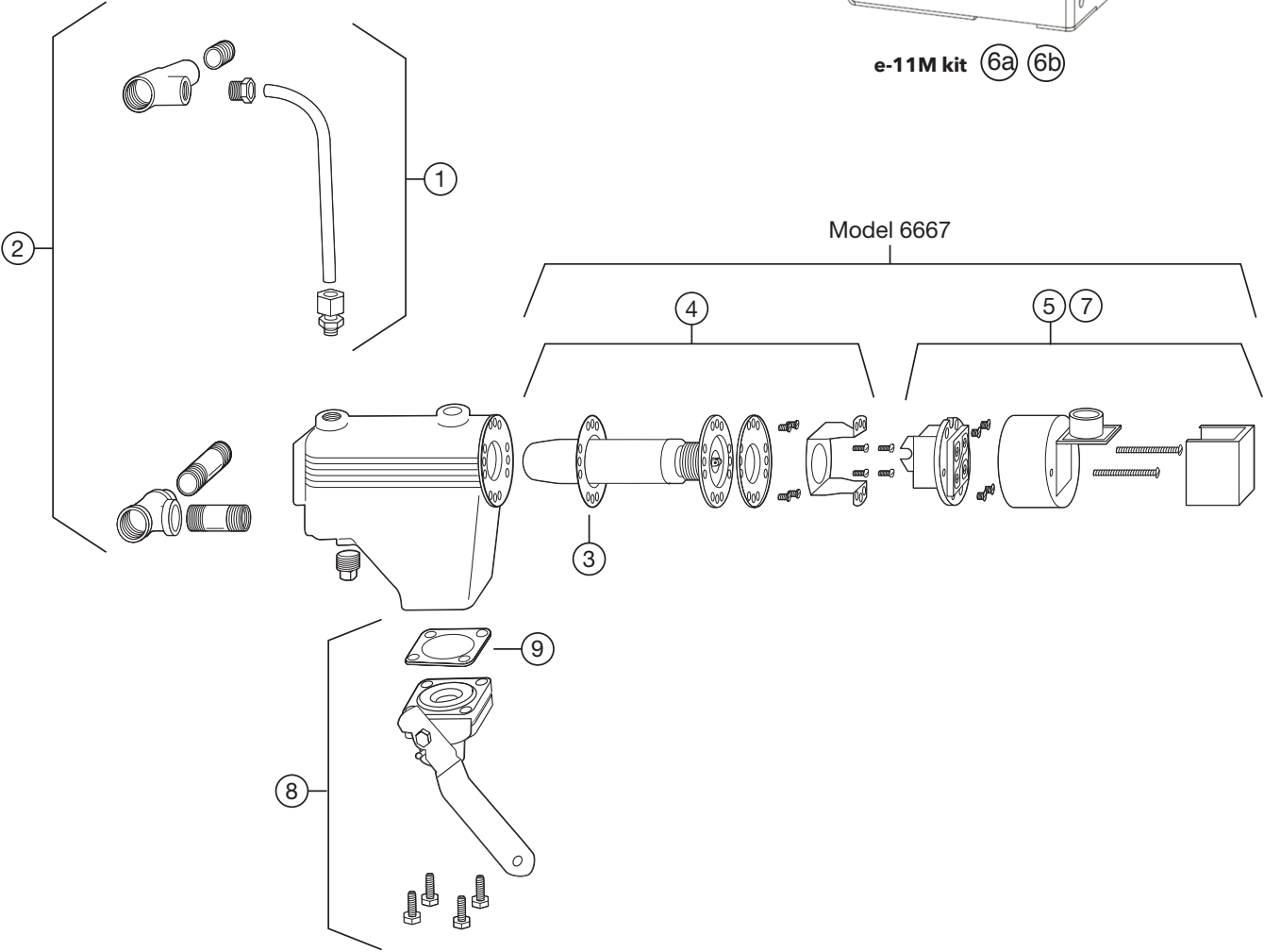


**Model 6667MV**

## Low Water Cut-Offs – Float Type For Steam Boilers

**Series 67** (continued)  
Low Water Cut-Offs

### Components



e-11M kit (6a) (6b)

Model 6667

BOILER CONTROLS