

## Low Water Cut-Offs – Float Type For Hot Water Boilers

### Series 764

#### Low Water Cut-Offs

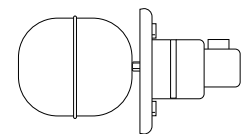
#### Replacement Head Mechanisms

For Series	Repl. Head Model No.	Part Number	Description	Weight lbs. (kg)
764	64-HD	144400	Head mechanism	4.0 (1.8)

Head mechanisms include a gasket and bolts.



**Series 764**



**Model 64-HD**

#### Components (shown on page 13)

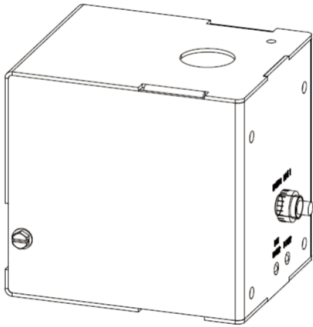
Item Number	Part Number	Model Number	Description	Weight lbs. (kg)
1	343600	SA64-30	Float assembly	1.0 (0.5)
2	302700	CO-12	Head gasket (25 pack)	0.1 (.05)
3	343500	SA64-2	Bellows assembly (includes item 2)	0.3 (.14)
4	318900	67-12	Gasket (10 pack)	0.1 (.05)
5	309100	11	Switch	0.5 (.23)
6a	354000	e-11M-120V	Switch w/Manual reset 120 Volts	2.5 (1.2)
6b	354001	e-11M-24V	Switch w/Manual reset 24 Volts	2.5 (1.2)
7	309200	11-MV	No. 11 for Millivolt service	0.5 (.23)



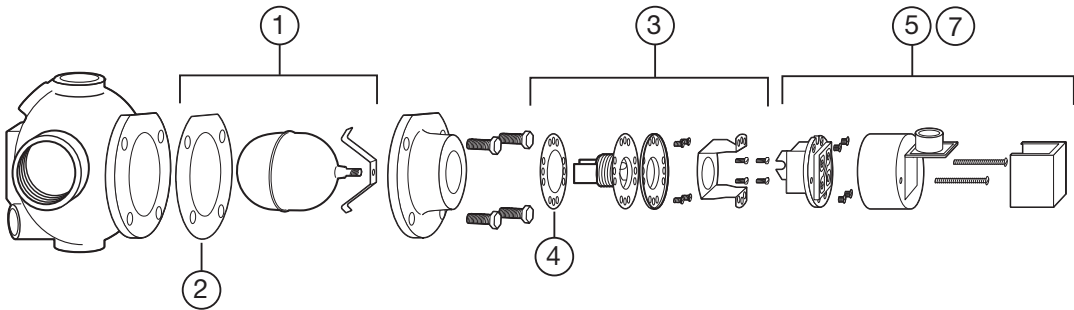
## Low Water Cut-Offs – Float Type For Hot Water Boilers

**Series 764** (continued)  
Low Water Cut-Offs

### Components



e-11M kit (6a) (6b)



BOILER CONTROLS