

Low Water Cut-Offs – Float Type For Steam Boilers

Series 767

Low Water Cut-Offs

Replacement Head Mechanisms

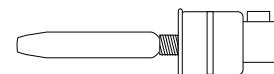
For Model	Repl. Head Model No.	Part Number	Description	Weight lbs. (kg)
767	6667	153825	Head mechanism	1.5 (0.7)



Series 767

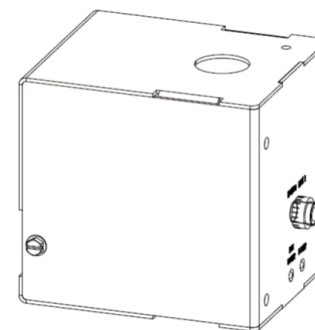
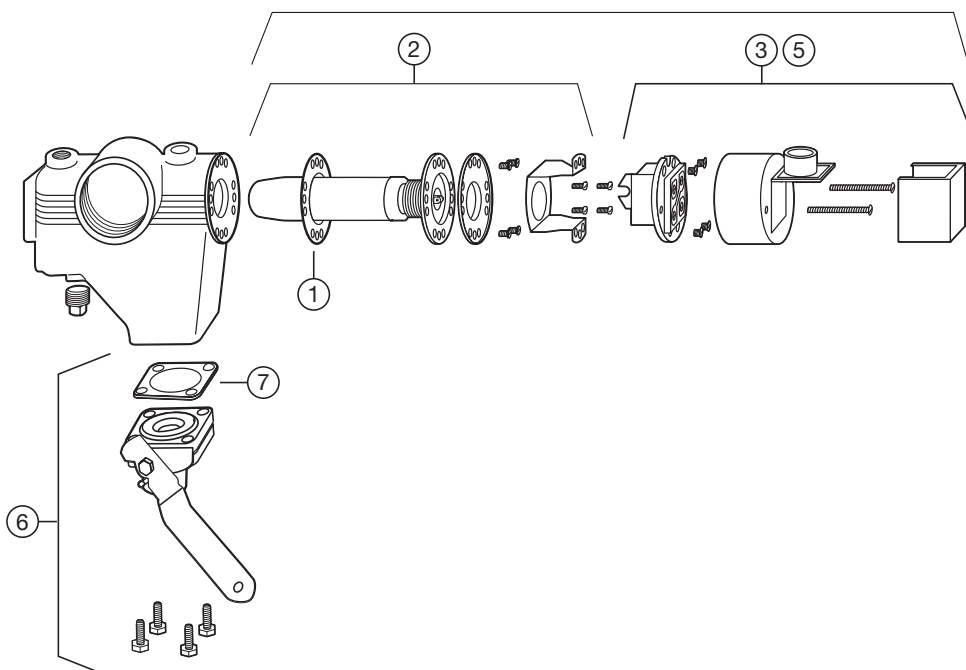
Components

Item Number	Part Number	Model Number	Description	Weight lbs. (kg)
1	318900	67-12	Gasket (10 pack)	0.1 (.05)
2	344200	SA67-2	Float and bellows assembly	1.0 (0.5)
3	309100	11	Switch	0.5 (.23)
4a	354000	e-11M-120V	Switch w/Manual reset 120 Volts	2.5 (1.2)
4b	354001	e-11M-24V	Switch w/Manual reset 24 Volts	2.5 (1.2)
5	309200	11-MV	No. 11 w/Millivolt service	0.5 (.23)
6	310447	14-B	Blow-down valve	0.5 (.23)
7	313300	37-39	Blow-down valve gasket (10 pack)	0.1 (.05)



Model 6667

Model 6667



e-11M kit (4a) (4b)