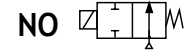
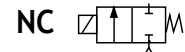




Direct Acting
Low Pressure Solenoid Valves
 Brass or Stainless Steel Bodies
 3/8" to 3/4" NPT



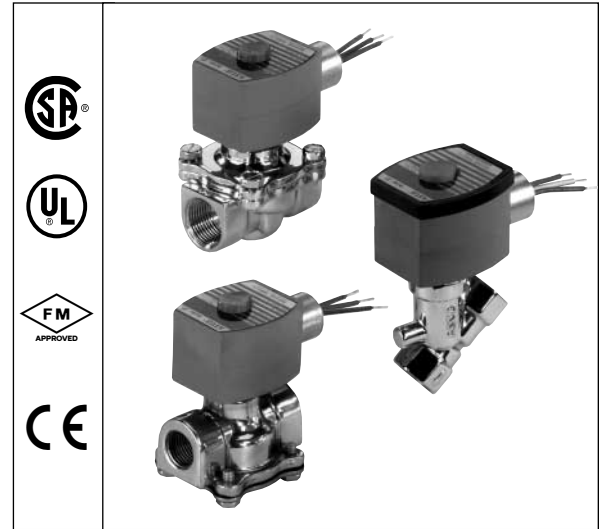
2/2
 SERIES
8030

Features

- Operate at low pressures: no minimum required; up to 15 psi maximum differential.
- Normally Closed or Normally Open operation.
- Widely used for dispensing, collating, gas shutoff, vacuum holding, and tank draining applications.
- Normally Open valve well suited for venting systems.

Construction

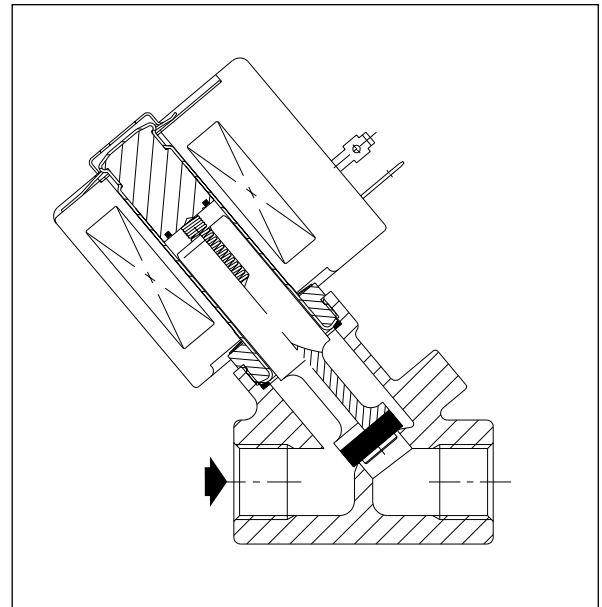
| Valve Parts in Contact with Fluids | | |
|------------------------------------|----------------------|---------------------|
| Body | Brass | 304 Stainless Steel |
| Seals and Disc | NBR | |
| Core Tube | 305 Stainless Steel | |
| Core and Plugnut | 430F Stainless Steel | |
| Core Spring | 302 Stainless Steel | |
| Shading Coil | Copper | Silver |
| Stem | PA (Normally Open) | |



Electrical

| Standard Coil and Class of Insulation | Watt Rating and Power Consumption | | | | Spare Coil Part Number | | | |
|---------------------------------------|-----------------------------------|-------|------------|-----------|------------------------|--------|----------------|--------|
| | DC Watts | AC | | | General Purpose | | Explosionproof | |
| | | Watts | VA Holding | VA Inrush | AC | DC | AC | DC |
| F | 10.6 | 6.1 | 16 | 40 | 238210 | 238310 | 238214 | 238314 |
| F | 11.6 | 10.1 | 25 | 70 | 238610 | 238710 | 238614 | 238714 |
| F | -- | 16.1 | 35 | 95 | 272610 | 97617 | 272614 | 97617 |
| F | -- | 17.1 | 40 | 93 | 238610 | -- | 238614 | -- |
| F | -- | 20.1 | 48 | 240 | 272610 | -- | 272614 | -- |

Standard Voltages: 24, 120, 240, 480 volts AC, 60 Hz (or 110, 220 volts AC, 50 Hz), 6, 12, 24, 120, 240 volts DC. Must be specified when ordering. Other voltages available when required.



Nominal Ambient Temperature Ranges:

AC: 32°F to 125°F (0°C to 52°C)
 DC: 32°F to 104°F (0°C to 40°C)

Solenoid Enclosures

Standard: Watertight, Types 1, 2, 3, 3S, 4, and 4X.
Optional: Explosionproof and Watertight, Types 3, 3S, 4, 4X, 6, 6P, 7, and 9. (To order, add prefix "EF" to catalog number.)

Approvals:

CSA certified. UL listed, as indicated. FM approved (Normally Closed only except 8030G17 and 8030G67). Meets applicable CE directives.

Specifications (English units)

| Pipe Size (ins.) | Orifice Size (ins.) | Cv Flow Factor | Operating Pressure Differential (psi) | | | | | | Max. Fluid Temp. °F | | Brass Body | | | Stainless Steel Body | | | Watt Rating/ Class of Coil Insulation ① | |
|---|---------------------|----------------|---------------------------------------|---------------|-------|---------------|-------|-----|---------------------|----------------|------------------|--------------|----------------|----------------------|--------------|--------|---|--|
| | | | Min. | Max. AC | | Max. DC | | AC | DC | Catalog Number | Constr. Ref. No. | UL ② Listing | Catalog Number | Constr. Ref. No. | UL ② Listing | AC | DC | |
| | | | | Air-Inert Gas | Water | Air-Inert Gas | Water | | | | | | | | | | | |
| NORMALLY CLOSED (Closed when de-energized) | | | | | | | | | | | | | | | | | | |
| 3/8 | 3/8 | 1.8 | 0 | 7 | 5 | 3 | 3 | 180 | 120 | 8030G10 | 1 | ○ | 8030G64 | 1 | ○ | 6.1/F | 10.6/F | |
| 3/8 | 3/8 | 1.8 | 0 | 15 | 15 | 3.5 | 3.5 | 180 | 150 | 8030G13 | 2 | ○ | 8030G65 | 2 | ○ | 10.1/F | 11.6/F | |
| 1/2 | 7/16 | 2.8 | 0 | 4 | 6 | - | - | 180 | - | 8030G16 | 3 | ○ | 8030G66 | 3 | ○ | 6.1/F | - | |
| 1/2 | 7/16 | 2.8 | 0 | 15 | 15 | - | - | 200 | - | 8030G17 | 11 | ○ | 8030G67 | 11 | ○ | 16.1/F | - | |
| 3/4 | 3/4 | 5 | 0 | 2 | 2 | 1 | 1 | 180 | 150 | 8030G3 | 9 | ○ | - | - | - | 10.1/F | 11.6/F | |
| 3/4 | 3/4 | 5 | 0 | 4 | 4 | - | - | 180 | - | 8030G43 | 9 | ○ | - | - | - | 17.1/F | - | |
| 3/4 | 5/8 | 5.4 | 0 | 2.5 | 2.5 | - | - | 180 | - | - | - | - | 8030G63 | 10 | ○ | 10.1/F | - | |
| NORMALLY OPEN (Open when de-energized) | | | | | | | | | | | | | | | | | | |
| 3/8 | 3/8 | 1.6 | 0 | 15 | 15 | - | - | 200 | - | 8030G70 | 12 | ● | - | - | - | 16.1/F | - | |
| 1/2 | 7/16 | 2.2 | 0 | 15 | 15 | - | - | 200 | - | 8030G71 | 13 | ● | - | - | - | 20.1/F | - | |
| 1/2 | 3/4 | 5 | 0 | 2 | 2 | - | - | 180 | - | 8030G82 | 7 | ● | - | - | - | 10.1/F | - | |
| 3/4 | 3/4 | 5.5 | 0 | 2 | 2 | - | - | 180 | - | 8030G83 | 8 | ● | - | - | - | 10.1/F | - | |

Notes: ① On all 50 hertz service, the watt rating for the 6.1/F solenoid is 8.1 watts.
 ② ○ = Safety Shutoff Valve; ● = General Purpose Valve. Refer to Engineering Section (Approvals) for details.

Specifications (Metric units)

| Pipe Size (ins.) | Orifice Size (mm) | Kv Flow Factor (m3/h) | Operating Pressure Differential (bar) | | | | | | Max. Fluid Temp. °C | | Brass Body | | | Stainless Steel Body | | | Watt Rating/ Class of Coil Insulation ① | |
|---|-------------------|-----------------------|---------------------------------------|---------------|-------|---------------|-------|----|---------------------|----------------|------------------|--------------|----------------|----------------------|--------------|--------|---|--|
| | | | Min. | Max. AC | | Max. DC | | AC | DC | Catalog Number | Constr. Ref. No. | UL ② Listing | Catalog Number | Constr. Ref. No. | UL ② Listing | AC | DC | |
| | | | | Air-Inert Gas | Water | Air-Inert Gas | Water | | | | | | | | | | | |
| NORMALLY CLOSED (Closed when de-energized) | | | | | | | | | | | | | | | | | | |
| 3/8 | 10 | 1.5 | 0 | 0.5 | 0.3 | 0.2 | 0.2 | 81 | 48 | 8030G10 | 1 | ○ | 8030G64 | 1 | ○ | 6.1/F | 10.6/F | |
| 3/8 | 10 | 1.5 | 0 | 1.0 | 1.0 | 0.2 | 0.2 | 81 | 65 | 8030G13 | 2 | ○ | 8030G65 | 2 | ○ | 10.1/F | 11.6/F | |
| 1/2 | 11 | 2.4 | 0 | 0.3 | 0.4 | - | - | 81 | - | 8030G16 | 3 | ○ | 8030G66 | 3 | ○ | 6.1/F | - | |
| 1/2 | 11 | 2.4 | 0 | 1.0 | 1.0 | - | - | 92 | - | 8030G17 | 11 | ○ | 8030G67 | 11 | ○ | 16.1/F | - | |
| 3/4 | 19 | 4.3 | 0 | 0.1 | 0.1 | 0.1 | 0.1 | 81 | 65 | 8030G3 | 9 | ○ | - | - | - | 10.1/F | 11.6/F | |
| 3/4 | 19 | 4.3 | 0 | 0.3 | 0.3 | - | - | 81 | - | 8030G43 | 9 | ○ | - | - | - | 17.1/F | - | |
| 3/4 | 16 | 4.6 | 0 | 0.2 | 0.2 | - | - | 81 | - | - | - | - | 8030G63 | 10 | ○ | 10.1/F | - | |
| NORMALLY OPEN (Open when de-energized) | | | | | | | | | | | | | | | | | | |
| 3/8 | 10 | 1.4 | 0 | 1.0 | 1.0 | - | - | 92 | - | 8030G70 | 12 | ● | - | - | - | 16.1/F | - | |
| 1/2 | 11 | 1.9 | 0 | 1.0 | 1.0 | - | - | 92 | - | 8030G71 | 13 | ● | - | - | - | 20.1/F | - | |
| 1/2 | 19 | 4.3 | 0 | 0.1 | 0.1 | - | - | 81 | - | 8030G82 | 7 | ● | - | - | - | 10.1/F | - | |
| 3/4 | 19 | 4.7 | 0 | 0.1 | 0.1 | - | - | 81 | - | 8030G83 | 8 | ● | - | - | - | 10.1/F | - | |

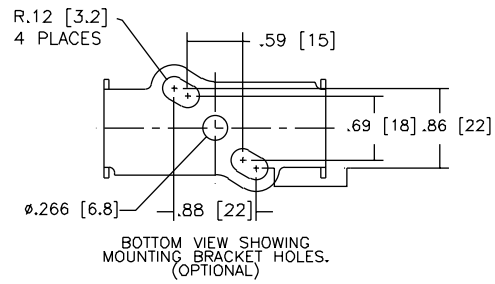
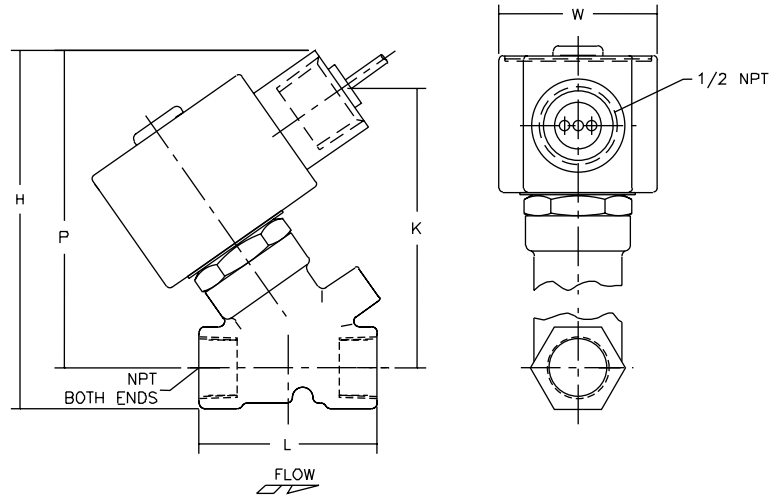
Notes: ① On 50 hertz service, the watt rating for the 6.1/F solenoid is 8.1 watts.
 ② ○ = Safety Shutoff Valve; ● = General Purpose Valve. Refer to Engineering Section (Approvals) for details.

Dimensions: inches (mm)

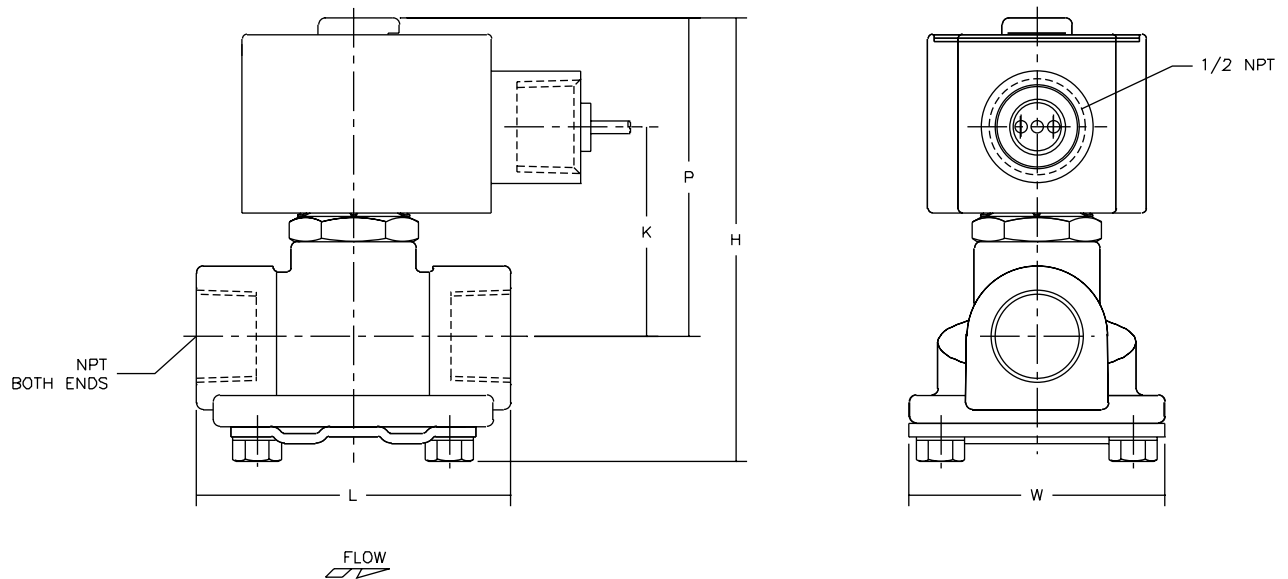
| Constr. Ref. No. | | H | K | L | P | W |
|------------------|------|------|------|------|------|------|
| 1 | ins. | 3.85 | 3 | 1.91 | 3.41 | 1.69 |
| | mm | 98 | 76 | 49 | 87 | 43 |
| 2 | ins. | 4 | 3.14 | 1.91 | 3.55 | 1.95 |
| | mm | 102 | 80 | 49 | 90 | 50 |
| 3 | ins. | 4.07 | 3.25 | 2.28 | 3.63 | 1.69 |
| | mm | 103 | 83 | 58 | 92 | 43 |
| 7 | ins. | 3.97 | 1.88 | 2.81 | 2.85 | 2.29 |
| | mm | 101 | 48 | 71 | 72 | 58 |
| 8 | ins. | 3.97 | 1.88 | 2.81 | 2.85 | 2.29 |
| | mm | 101 | 48 | 71 | 72 | 58 |
| 9 | ins. | 4.1 | 2.44 | 2.81 | 3.41 | 2.28 |
| | mm | 104 | 62 | 71 | 87 | 58 |
| 10 | ins. | 4.16 | 2.47 | 2.81 | 3.44 | 2.28 |
| | mm | 106 | 63 | 71 | 87 | 58 |
| 11 | ins. | 4.31 | 3.39 | 2.28 | 3.77 | 2.06 |
| | mm | 110 | 86 | 58 | 96 | 52 |
| 12 | ins. | 4.16 | 1.1 | 1.91 | 3.72 | 2.06 |
| | mm | 106 | 28 | 49 | 94 | 52 |
| 13 | ins. | 4.37 | 1.05 | 2.28 | 3.83 | 2.06 |
| | mm | 111 | 27 | 58 | 97 | 52 |

IMPORTANT: Valves may be mounted in any position, except for 8030G3 DC.

Constr. Refs. 1, 2, 3

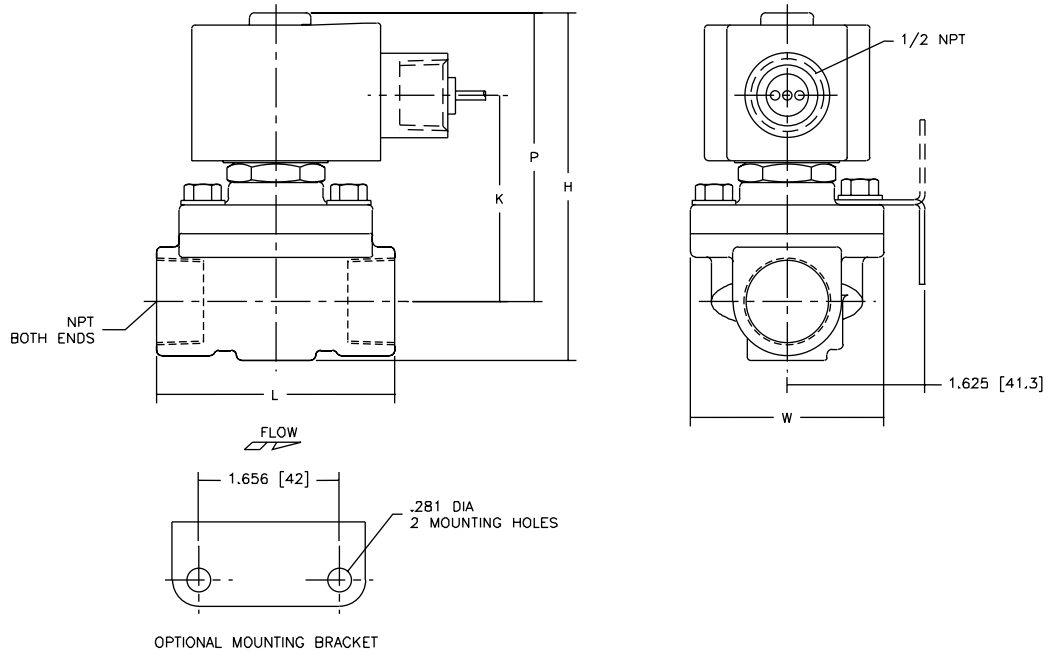


Constr. Refs. 7, 8



Dimensions: inches (mm)

Constr. Refs. 9, 10



Constr. Refs. 11, 12, 13

