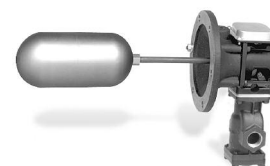


Water Feeders – Make-Up

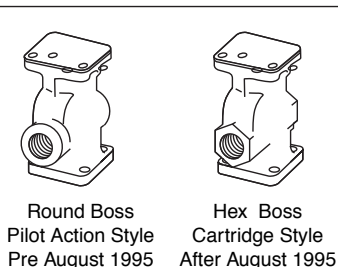
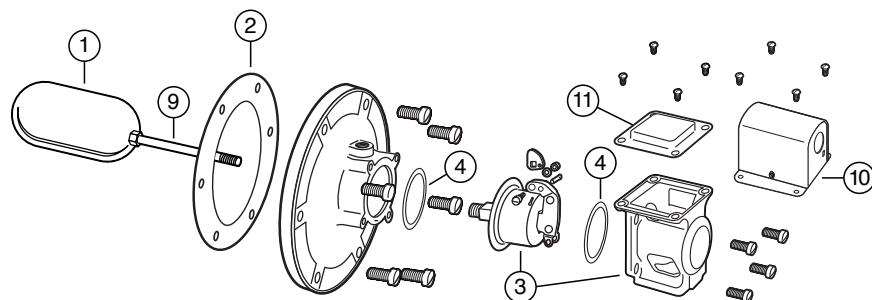
Series 851 Make-Up Water Feeders

Components

Item Number	Part Number	Model Number	Description	Weight lbs. (kg)
1	313600	37A-130	Float (includes item 2)	2.0 (0.9)
2	336500	847-26	Gasket (5 pack)	0.1 (.05)
3	352925	SA851-4	Bellows bracket assembly	1.5 (0.7)
4	313900	37-27	Gasket (5 pack)	0.1 (.05)
5*	342500	SA51-101-102	Valve & strainer kit	3.0 (1.4)
6	324500	37-101	Tetraseal O-ring (5 pack)	0.1 (.05)
7	347100	SA101-38	Strainer basket (includes item 6)	0.7 (.32)
8	310452	CTRD-51	Cartridge & strainer kit	0.8 (.36)
9	335700	851-105	Float rod	0.3 (.14)
10	110000	2	Switch	1.0 (.05)
11	312600	37-20	Cover	0.1 (.05)



Series 851



* Units manufactured prior to August 1995 have a round port pilot valve and a strainer assembly. These valve and strainer assemblies can be replaced with the current hex port cartridge valve and strainer assembly.

