

## C7027A1080 Minipeeper Ultraviolet Flame Detector

**TRADELINE®**

### INSTALLATION INSTRUCTIONS

## APPLICATION

The C7027A1080 Minipeeper Ultraviolet Flame Detector is designed to replace these existing Honeywell and Fireye Flame Detectors:

- Honeywell: C7027A1007 and C7027A1023.
- Fireye: UV-1, UV-1A, UV-2, UV-6, UV-7 and 45UV2Z.
- Barber Coleman: 1292
- Protection Control: P-C1 and P-C11

### IMPORTANT

*If replacing a Fireye, Barber Coleman or Protection Control Flame Detector, the flame safeguard control must also be replaced. Refer to "The Firing Line," form 70-8900, to select the proper Honeywell components.*

The C7027A1080 includes:

- C7027A1023 Minipeeper Ultraviolet Flame Detector; mounting collar has 1/2-14 NPSM internal threads; 6 foot (1.8m) leadwires; 0°F to 215°F (minus 17°C to plus 101°C) ambient operating temperature rating.
- 136733 Heat Block, laminated plastic, for insulating the flame detector from temperatures above 215°F (101°C); 1/2-14 NPSM external threads on one end and 1/2-14 NPSM internal threads on the other end.
- 390427B Bushing, steel pipe, for replacing a Fireye UV-2 Flame Detector; 1/2-14 external threads x 3/8-18 NPT internal threads.

## INSTALLATION



### CAUTION

1. Installer must be trained and experienced in servicing flame safeguard controls.
  2. Disconnect power supply before beginning installation to prevent electrical shock and equipment damage.
  3. All wiring must be NEC Class 1 and must comply with applicable local electrical codes, ordinances, and regulations.
  4. Perform all required checkout tests after installation is completed.
- 1 If replacing a Fireye Flame Detector, also replace the Fireye Flame Safeguard Control. Refer to "The Firing Line" form 70-8900 for instructions.
  - 2 Refer to Fig. 1 and 2 for mounting dimensions and arrangements.

- 3 Disconnect the power supply and remove the leadwires on the existing flame detector from the wiring subbase or terminal strip.
- 4 Unscrew the existing flame detector from the sight pipe.
- 5 Clean the inside of the sight pipe.
- 6 If replacing a Fireye UV-2, Barber Coleman, or Protection Control Flame Detector, screw the 390427B Bushing (included) onto the sight pipe.
- 7 If the ambient operating temperature at the detector can exceed 215°F (101°C), screw the 136733 Heat Block (included) onto the sight pipe (or onto the bushing when replacing a Fireye UV-2, Barber Coleman or Protection Control Flame Detector).
- 8 Screw the C7027A1023 Detector onto the sight pipe, heat block, or bushing, as applicable. See Fig. 1 or 2.
- 9 Connect the leadwires on the C7027A1023 Detector to the wiring subbase or terminal strip—BLUE leadwire to F terminal, and WHITE leadwire to G terminal.



### CAUTION

The BLUE lead must be connected to the F terminal and the WHITE lead to the G terminals. This circuit is dc and the ultraviolet (UV) sensing tube is polarity sensitive; reversing the leads even momentarily can destroy the UV tube.

## CHECKOUT

Conduct the tests in the Checkout section of the accompanying Instructions for the C7027A Minipeeper Ultraviolet Flame Detector, form 60-2026. Also conduct a checkout of the complete system. Refer to the Checkout section in the Instructions for the appropriate flame safeguard control and the burner Installation Instructions, if available.



### CAUTION

Do not put the system into operation until all tests in the Checkout section of the Instructions for the appropriate flame safeguard control and any others specified in the burner Installation Instructions are satisfactorily completed.

For additional specifications and instructions, refer to the C7027A Instructions, form 60-2026.



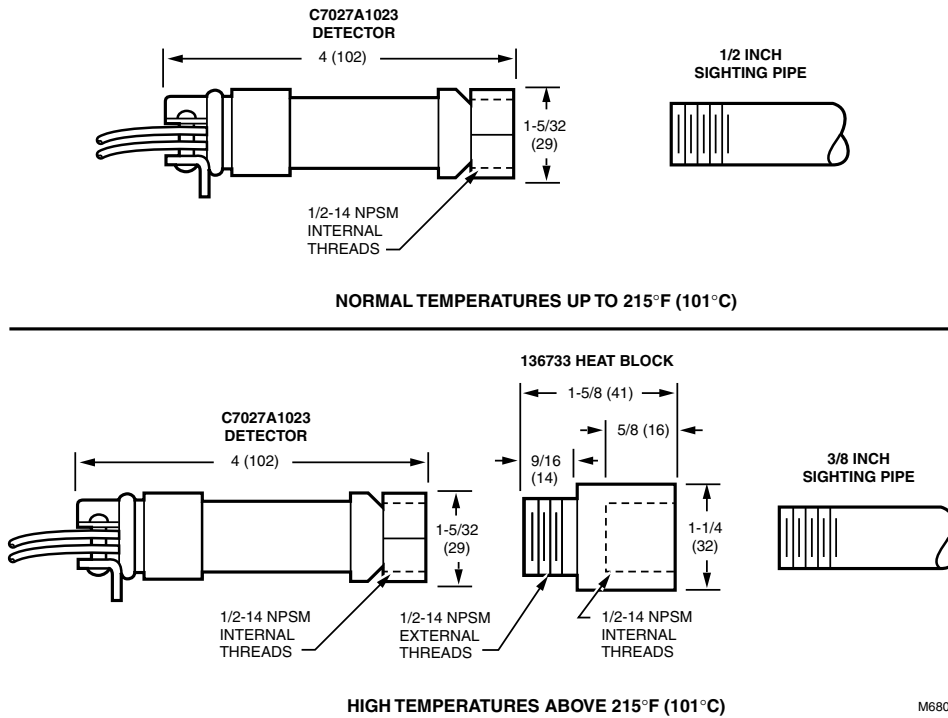


Fig. 1. Mounting dimensions for replacing Honeywell C7027A and Fireye UV-1/UV-1A Flame Detectors, in in. (mm).

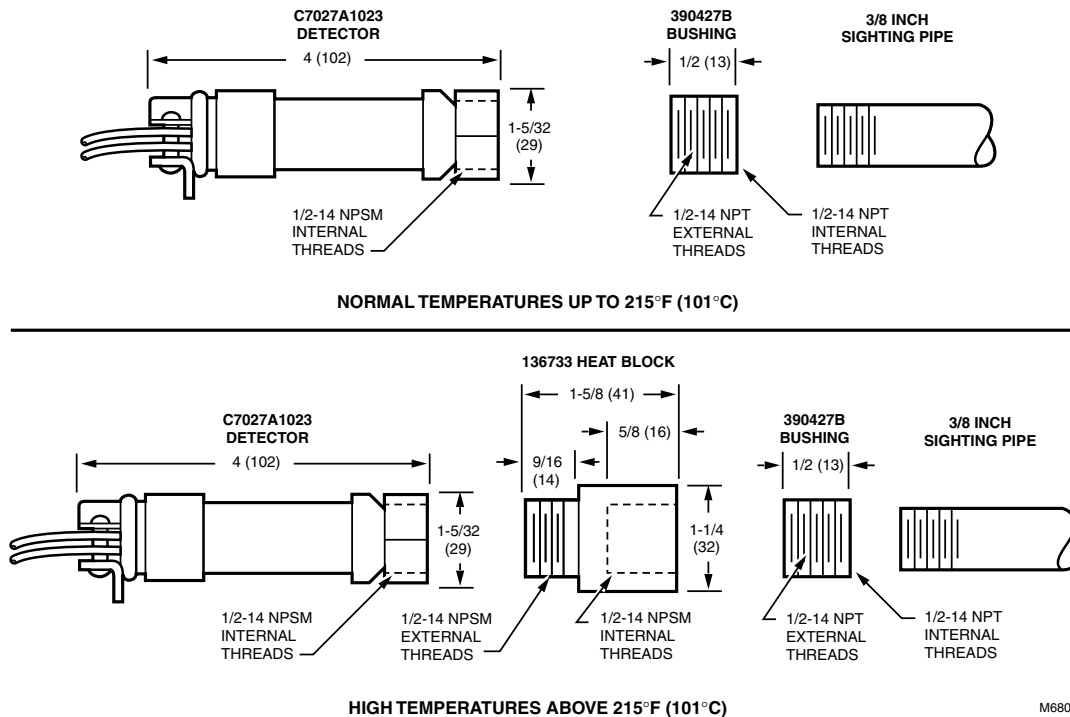


Fig. 2. Mounting dimensions for replacing Fireye UV-2, Barber Coleman or Protection Control Flame Detectors, in in. (mm).

**Honeywell**

**Home and Building Control**  
Honeywell International, Inc.  
1985 Douglas Drive North  
Golden Valley, MN 55422

**Home and Building Control**  
Honeywell Limited-Honeywell Limitée  
35 Dynamic Drive  
Scarborough, Ontario  
M1V4Z9