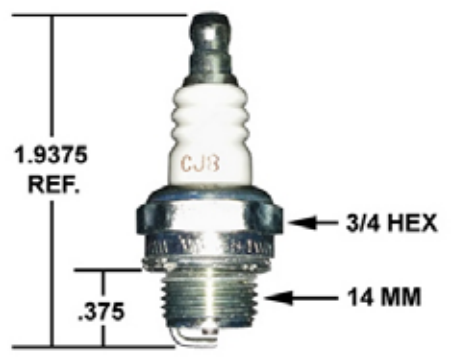


25



CJ8



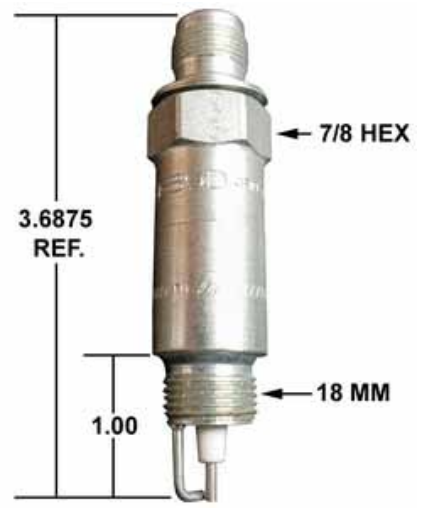
D23



D89D



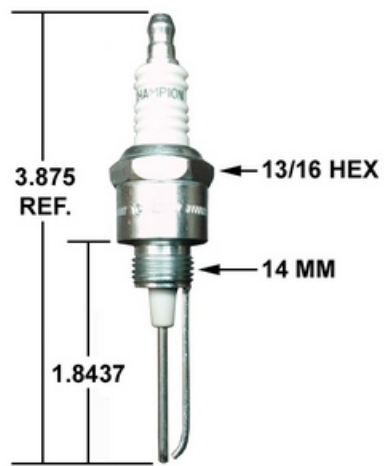
D9



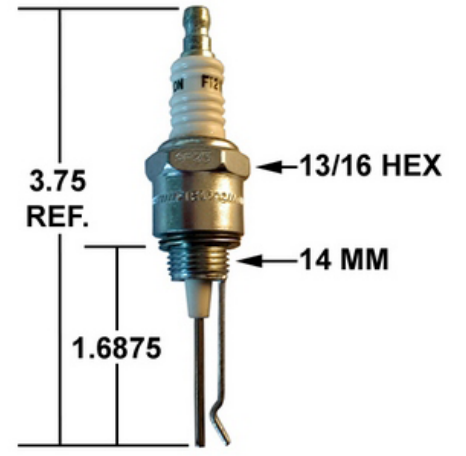
ED-89D



F-121500  
 (aka FI-21500)



F-121501  
 (aka FI-21501)



F-121502  
 (aka FI-21502)