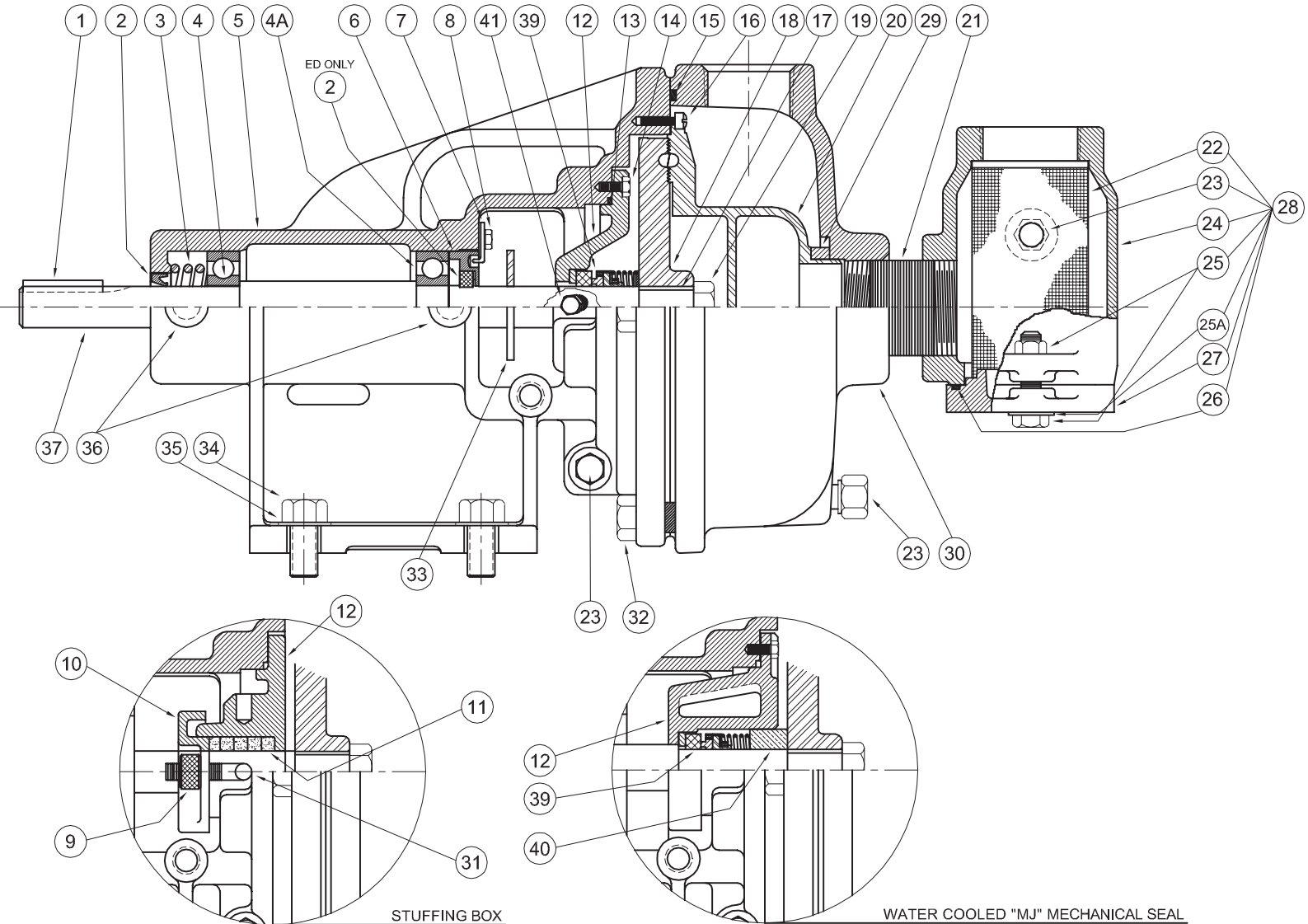


Turbines - Base Mounted



| SYMBOL NUMBER | PART NUMBER | QTY | DESCRIPTION | |
|---------------|-------------|-------|--------------------------|-----------------------|
| 18 | SA07215 | 1 | Impeller - 1/4" - EC4 | |
| | SA02034 | 1 | Impeller - 5/16" - EC5 | |
| | SA07216 | 1 | Impeller - 3/8" - EC6 | |
| | SA01806 | 1 | Impeller - 7/16" - EC7 | |
| | SA01807 | 1 | Impeller - 1/2" - EC8 | |
| | SA02545 | 1 | Impeller - 9/16" - EC9 | |
| | SA01477 | 1 | Impeller - 5/8" - EC10 | |
| | SA07217 | 1 | Impeller - 1/2" - ED8 | |
| | SA05600 | 1 | Impeller - 9/16" - ED9 | |
| | SA05237 | 1 | Impeller - 5/8" - ED10 | |
| 19 | SA07218 | 1 | Impeller - 11/16" - ED11 | |
| | SA05582 | 1 | Impeller - 3/4" - ED12 | |
| | SA07219 | 1 | Impeller - 7/8" - ED14 | |
| | 01404 | 1 | Locknut, Impeller - EC | |
| | 05037 | 1 | Locknut, Impeller - ED | |
| | 20 | 07203 | 1 | Raceway - 1/4" - EC4 |
| | | 07204 | 1 | Raceway - 5/16" - EC5 |
| | | 07205 | 1 | Raceway - 3/8" - EC6 |
| | | 07206 | 1 | Raceway - 7/16" - EC7 |
| | | 07207 | 1 | Raceway - 1/2" - EC8 |
| 07208 | | 1 | Raceway - 9/16" - EC9 | |
| 07209 | | 1 | Raceway - 5/8" - EC10 | |
| 05603 | | 1 | Raceway - 1/2" - ED8 | |
| 05604 | | 1 | Raceway - 9/16" - ED9 | |
| 07210 | | 1 | Raceway - 5/8" - ED10 | |
| 21 | 05529 | 1 | Raceway - 11/16" ED11 | |
| | 05583 | 1 | Raceway - 3/4" - ED12 | |
| | 05585 | 1 | Raceway - 7/8" - ED14 | |
| | 02866 | 1 | Nipple - EC | |
| | 05540 | 1 | Nipple - ED | |
| 22 | 01407 | 1 | Screen - EC | |
| | 04646 | 1 | Screen - ED | |
| 23 | 04236 | 4 | Plug | |
| 24 | 05514 | 1 | Body Strainer - EC | |
| | 05380 | 1 | Body Strainer - ED | |
| 25 | 08683 | 2 | Bolt w/Nut - EC | |
| | 05383 | 2 | Bolt w/Nut - ED | |
| 25A | 01609-A | 2 | Washer - EC | |
| | 01609-B | 2 | Washer - EC | |
| | 002553 | 2 | Washer - ED | |
| | 082209 | 2 | Washer - ED | |

NOTE 1: Impeller and raceway must be ordered as a repair kit.
NOT available individually..

"CONTINUED ON NEXT PAGE"

| SYMBOL NUMBER | PART NUMBER | QTY | DESCRIPTION |
|---------------|-------------|-----|--|
| 1 | 01420 | 1 | Key - EC |
| | 03234 | 1 | Key - ED |
| 2 | 20939 | 1 | Oil Seal - EC |
| | 21332 | 2 | Oil Seal - ED |
| | 20922 | 1 | Spring - EC |
| 3 | 21373 | 1 | Spring - ED |
| | 21463 | 1 | Bearing - EC |
| 4 | 21473 | 1 | Bearing - ED |
| | 21463 | 1 | Bearing - EC |
| 4A | 625-00719 | 1 | Bearing - ED |
| | 21302 | 1 | Housing, Bearing - EC |
| 5 | 21325 | 1 | Housing, Bearing - ED |
| | 09781 | 1 | Adjusting Screw - EC |
| 6 | 21323 | 1 | Adjusting Screw - ED |
| | 07576 | 1 | Lock, Adjusting Screw |
| 7 | 07577 | 1 | Screw |
| 8 | 04211 | 2 | Nut |
| 9 | 05812-B | 1 | Gland, Stuffing Box - EC |
| | 04643 | 1 | Gland, Stuffing Box - ED |
| 10 | 05468 | 5 | Packing - EC |
| | 05539 | 6 | Packing - ED |
| 11 | 21306 | 1 | Housing, Stuffing Box - EC |
| | 21319 | 1 | Housing, Stuffing Box - ED |
| 12 | 21308 | 1 | Housing, Mechanical Seal - EC |
| | 21320 | 1 | Housing, Mechanical Seal - ED |
| | 21309 | 1 | Housing, Water Cooled Mech. Seal - EC-MJ |
| 13 | 21318 | 1 | Housing, Water Cooled Mech. Seal - ED-MJ |
| | 21337 | 1 | Gasket, Housing - Buna-N - EC (Std) |
| 13 | 21547 | 1 | Gasket, Housing - Viton - EC |
| | 22131 | 1 | Gasket, Housing - EPT - EC |
| | 22057 | 1 | Gasket, Housing - Teflon - EC-MJ |
| | 21333 | 1 | Gasket, Housing - Buna-N - ED (Std) |
| | 21546 | 1 | Gasket, Housing - Viton - ED |
| | 22132 | 1 | Gasket, Housing - EPT - ED |
| 14 | 22058 | 1 | Gasket, Housing - Teflon - ED-MJ |
| | 21339 | 6 | Screw |
| 15 | 21338 | 1 | Gasket, Case - Buna-N - EC (Std) |
| | 21548 | 1 | Gasket, Case - Viton - EC |
| | 22136 | 1 | Gasket, Case - EPT - EC |
| | 22059 | 1 | Gasket, Case - Teflon - EC-MJ |
| | 21328 | 1 | Gasket, Case - Buna-N - ED (Std) |
| 15 | 21545 | 1 | Gasket, Case - Viton - ED |
| | 22137 | 1 | Gasket, Case - EPT - ED |
| | 22060 | 1 | Gasket, Case - Teflon - ED-MJ |
| | 04227 | 2 | Screw |
| 16 | 21748-A | 1 | Key - EC |
| | 21749-A | 1 | Key - ED |

| SYMBOL NUMBER | PART NUMBER | QTY | DESCRIPTION |
|--|-------------|-----|--|
| 40 | 21353 | 1 | Shaft Sleeve - EC-MJ |
| | 21352 | 1 | Shaft Sleeve - ED-MJ |
| | 01691-A | 1 | Plug 1/8" |
| | 21549 | 1 | Power Frame Assy - EC |
| | 21551 | 1 | Power Frame Assy - ED |
| DIFFERING PARTS FOR ALL BRONZE CONSTRUCTION | | | |
| 5 | 21302-A | 1 | Housing, Bearing - EC |
| | 21325-A | 1 | Housing, Bearing - ED |
| 12 | 21306-A | 1 | Housing, Stuffing Box - EC |
| | 21319-A | 1 | Housing, Stuffing Box - ED |
| | 21308-A | 1 | Housing, Mech. Seal - EC |
| | 21320-A | 1 | Housing, Mech. Seal - ED |
| | 21309-A | 1 | Housing, Water-Cooled Mech. Seal - EC-MJ |
| | 21318-A | 1 | Housing, Water-Cooled Mech. Seal - ED-MJ |
| 21 | 07277 | 1 | Nipple - EC |
| 28 | 05538 | 1 | Nipple - ED |
| | 07183-A | 1 | Strainer Assy - EC |
| 30 | 07184-A | 1 | Strainer Assy - ED |
| | 21304-A | 1 | Case - EC |
| 32 | 21317-A | 1 | Case - ED |
| | 08771 | 6 | Cap Screw - EC (SS) |
| | 03106-A | 6 | Cap Screw - ED |
| | 21550 | 1 | Power Frame Assy - EC |
| | 21552 | 1 | Power Frame Assy - ED |

NOTE 1: Impeller and raceway must be ordered as a repair kit.
NOT available individually..

| REPAIR KITS FOR EC & ED SERIES PUMPS | | | |
|--|-------|----------------|-------|
| REPAIR KIT P/N | MODEL | REPAIR KIT P/N | MODEL |
| 21707-04 | EC4 | 21710-08 | ED8 |
| 21707-05 | EC5 | 21710-09 | ED9 |
| 21707-06 | EC6 | 21710-10 | ED10 |
| 21707-07 | EC7 | 21710-11 | ED11 |
| 21707-08 | EC8 | 21710-12 | ED12 |
| 21707-09 | EC9 | 21710-14 | ED14 |
| 21707-10 | EC10 | | |
| KIT INCLUDES: Impeller, Raceway and Instructions. | | | |

| SYMBOL NUMBER | PART NUMBER | QTY | DESCRIPTION | |
|---------------|-------------|-------|--|-----------|
| 26 | 21732 | 1 | Gasket, Strainer - Buna-N - EC (Std) | |
| | 21733 | 1 | Gasket, Strainer - Viton - EC | |
| | 22130 | 1 | Gasket, Strainer - EPT - EC | |
| | 22056 | 1 | Gasket, Strainer - Teflon - EC-MJ | |
| | 21337 | 1 | Gasket, Strainer - Buna-N - ED (Std) | |
| | 21547 | 1 | Gasket, Strainer - Viton - ED | |
| | 22131 | 1 | Gasket, Strainer - EPT - ED | |
| | 22057 | 1 | Gasket, Strainer - Teflon - ED-MJ | |
| | 05125 | 1 | Cap - EC | |
| | 05381 | 1 | Cap - ED | |
| 28 | 07183 | 1 | Strainer Assy - EC | |
| | 07184 | 1 | Strainer Assy - ED | |
| | 04231 | 1 | Suction Sleeve - Buna-N -EC (Std) | |
| | 09695 | 1 | Suction Sleeve - Viton - EC | |
| 29 | 20285 | 1 | Suction Sleeve - EPT - EC | |
| | 22100 | 1 | Suction Sleeve - Teflon - EC-MJ | |
| | 09853 | 1 | Retainer, Suction Sleeve - EC-MJ (Not Shown) | |
| | 04652 | 1 | Suction Sleeve - Buna-N - ED (Std) | |
| | 09844 | 1 | Suction Sleeve - Viton - ED | |
| | 22222 | 1 | Suction Sleeve - EPT - ED | |
| | 22061 | 1 | Suction Sleeve - Teflon - ED-MJ | |
| | 22062 | 1 | Retainer, Suction Sleeve - ED-MJ (Not Shown) | |
| | 30 | 21304 | 1 | Case - EC |
| | 31 | 21317 | 1 | Case - ED |
| 07003 | | 2 | Gland Bolt | |
| 32 | 01931 | 6 | Cap Screw - EC | |
| | 03106 | 6 | Cap Screw - ED | |
| 33 | 08324 | 1 | Slinger Washer - EC | |
| | 02831 | 1 | Slinger Washer - ED | |
| 34 | 1-68-6 | 4 | Cap Screw | |
| | 20059 | 4 | Washer | |
| 36 | 01691 | 2 | Pipe Plug, 1/8" | |
| | 20921 | 1 | Shaft - EC | |
| 37 | 21324 | 1 | Shaft - ED | |
| | 08991 | 1 | Mechanical Seal - Buna-N - EC (Std) | |
| 39 | 09813-C | 1 | Mechanical Seal - Viton - EC | |
| | 21934 | 1 | Mechanical Seal - EPT - EC | |
| | 20499-C | 1 | Mechanical Seal - Viton/Ni-Resist - EC-MJ | |
| | 21942 | 1 | Mechanical Seal - Buna-N - ED (Std) | |
| | 21943 | 1 | Mechanical Seal - Viton - ED | |
| | 21935 | 1 | Mechanical Seal - EPT - ED | |
| | 21857 | 1 | Mechanical Seal - Viton/Ni-Resist - ED-MJ | |