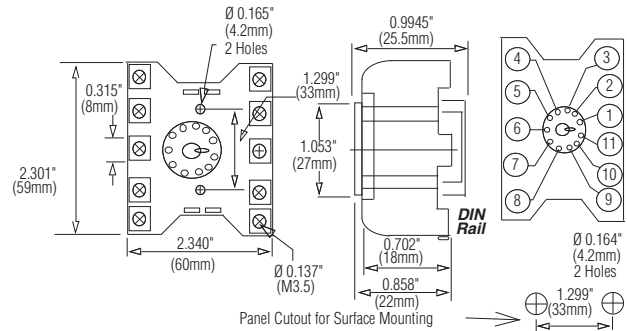
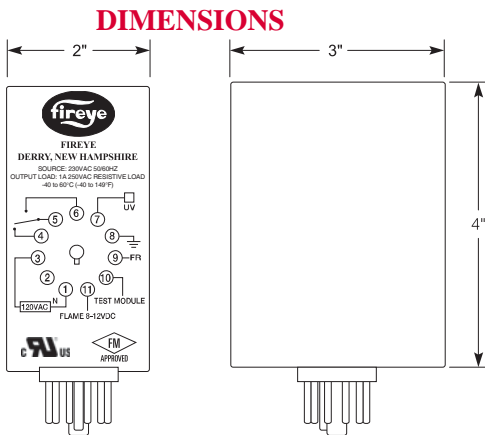


MB SERIES FLAME SENSOR MODULES

Bulletin MBPF-1001

The MBPF-100S, MB-600PF, MBPF-200S and MBPF-202S modules provide visual indication and electrical output that signal the user regarding flame presence in a combustion chamber. The module uses Fireeye optical ultra-violet scanners and/or flame rod to sense flame presence independently or as components in a burner management system. Many operational characteristics are provided including:

- UL recognized and FM approved-MBPF-100S, MB-600PF
- FM approved - MBPF-200S, MBPF-202S
- Self-contained: 120 VAC, 50/60: MBPF-100S, MB-600PF
- 220 VAC, 50/60: MBPF-200S, MBPF-202S
- UV detection or flame rod or both
- Flame ON LED
- User controlled Flame Fail LED
- Analog output test points permits direct reading of flame signal
- Uses standard 11-pin relay base
- Panel surface or DIN-rail mounting
- Remote testing of contacts available
- Self-check scanner available for MBPF-100S and MB-600PF



STYLE: 11 pin octal, snap-mount/surface mount
TERMINAL: M3.5 screws with captive wire clamp
WIRE SIZE: Maximum up to 2 - #12 AWG each terminal
ELECTRICAL RATING: 300V, 10A
 To secure MBPF to socket use retaining kit - P/N 129-172

PART NUMBER	DESCRIPTION
Flame Sensor	
MBPF-100S	Single channel module, 120VAC 50/60 Hz, use with UV detection or flame rod or both.
MB-600PF	Single channel module, 120VAC 50/60 Hz, use with UV detection or flame rod or both. Mounting ears provided for use with MB-600S multiburner programming module.
MBPF-200S	Single channel module, 220VAC 50/60 Hz, use with UV detection or flame rod or both.
MBPF-202S	Single channel module, 220VAC 50/60 Hz, use with UV detection or flame rod or both, 2 sec. FFRT.
Wiring Base	
60-2726	Socket, 11-pin, DIN rail or panel surface mounting.
129-172	Kit, retaining, secures module on socket, 60-2627.
Mounting Rails	
60-2539-12	DIN style mounting rail, 12 inches., mounts up to 4 modules.
60-2539-24	DIN style mounting rail, 24 inches., mounts up to 8 modules.
60-2539-36	DIN style mounting rail, 36 inches., mounts up to 12 modules.

PART NUMBER	DESCRIPTION
Scanners for use with MB Series	
UV7A4	Ultra-violet scanner, non-self check applications, 1/2" NPT mount, 4' lead with insulating coupling.
UV7A4W	Ultra-violet scanner, non-self check applications, NEMA 4, 1/2" NPT mount, 4' lead with insulating coupling.
UV7R4	Ultra-violet scanner, non-self check applications, 1/2" NPT, 90°, 6' lead with insulating coupling.
UV7SC	Ultraviolet scanner, self check applications, 120VAC, 1" NPT mount. (MBPF-100S only).
59-504-010	Cable/connector for self-check scanner, 10 foot.
Flame Rods	
69ND1-1000K4	Flame rod 1/2"NPT mount, 12" length.
69ND1-1000K6	Flame rod 1/2"NPT mount, 18" length.
69ND1-1000K8	Flame rod 1/2"NPT mount, 21" length.