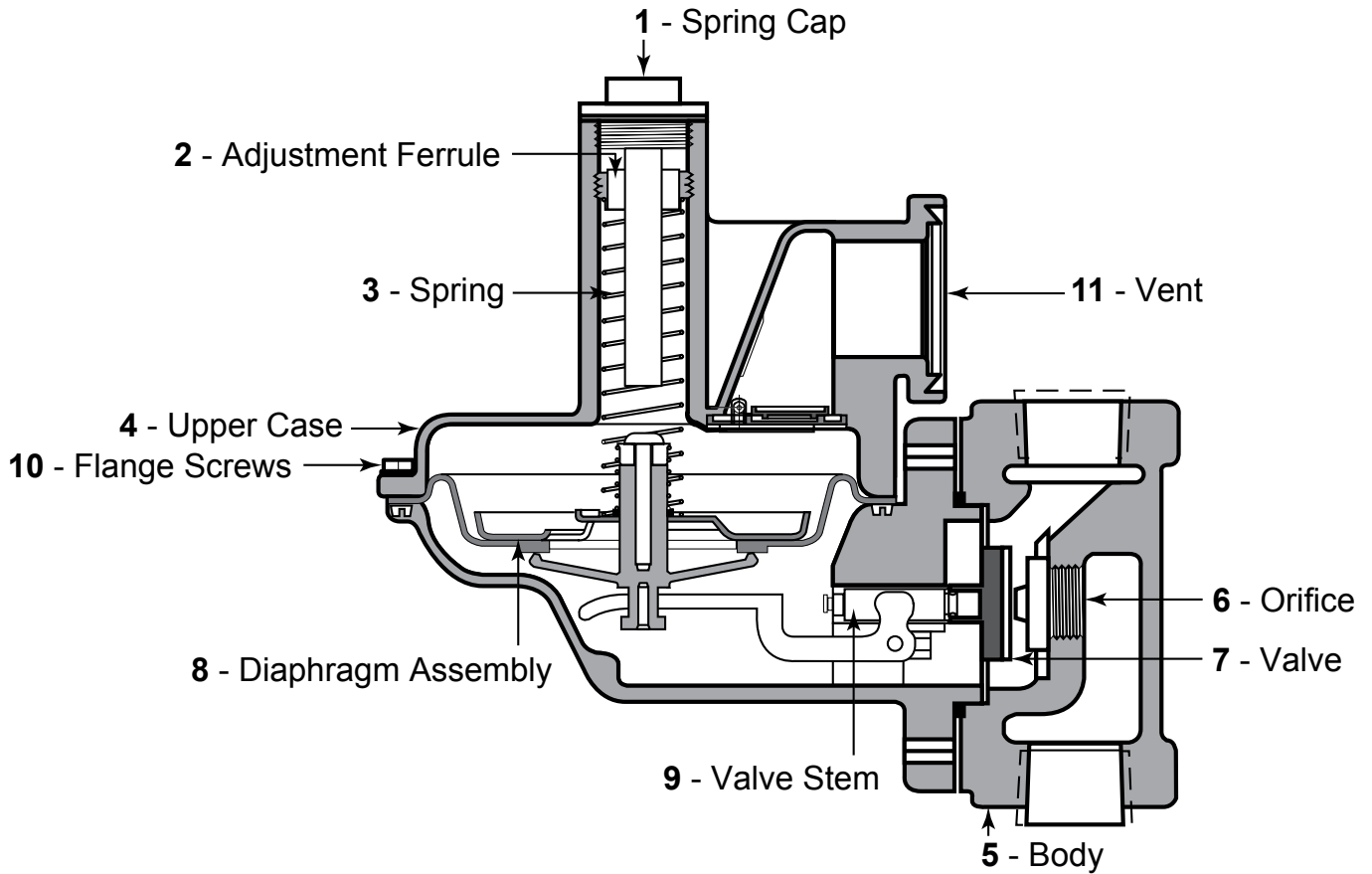
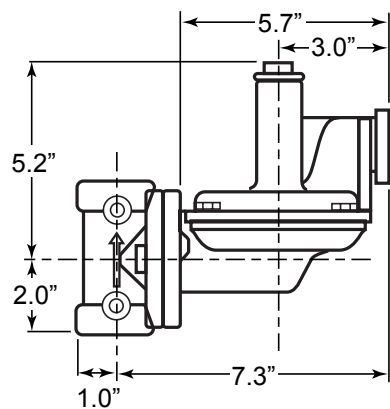


Model 496 Illustrations

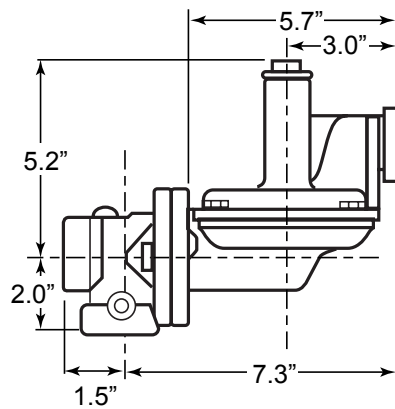
Domestic Service Regulator



Dimensions



496-20 Straight Body
All Outlet Sizes



496-10 Angle Body
3/4" and 1" Outlet ONLY

Valve Body Sizes

Straight	Angle
3/8" x 3/8"	-
1/2" x 1/2"	-
3/4" x 3/4"	3/4" x 3/4"
3/4" x 1"	3/4" x 1"
1" x 1"	1" x 1"



Marshall W. Nelson & Associates

Process Heating and Control Engineering Since 1958

www.mwnelson.com