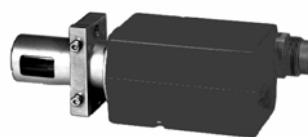




QRA10...



QRA53..., QRA55... with clamp



QRA2... with clamp

Flame Detectors

QRA2...
QRA10...
QRA53...
QRA55...

The UV flame detectors are designed for use with Siemens burner controls, for the supervision of gas or oil flames.

The QRA... and this Data Sheet are intended for use by OEMs which integrate the flame detectors in their products.

Use

The flame detectors are used for the supervision of gas flames, yellow- or blue-burning oil flames and for ignition spark proving.

Type reference	For use with burner control type	Operating mode
QRA2..., QRA10...	LGB2... / LGB4... with AGQ1... LFL... LFE1... LFE10... LMG... with AGQ2... LME21... / LME22... / LME39... with AGQ3... LMV2... / LMV3... LMV5... with AGQ1...	Intermittent
QRA53..., QRA55...	LGK16... LGI16...	Continuous

Warning notes



To avoid injury to persons, damage to property or the environment, the following warning notes must be observed!

- All activities (mounting, installation and service work, etc.) must be performed by qualified staff
- Before making any wiring changes in the connection area of the detector, completely isolate the equipment from the mains supply (all-polar disconnection)
- Ensure protection against electric shock hazard by providing adequate protection for the terminals
- Each time work has been carried out (mounting, installation, service work, etc.), check to ensure that wiring is in an orderly state
- Halogen lamps, welding equipment, special lamps or ignition sparks may produce sufficient radiation for the detector's UV cell to ignite. X-rays and gamma radiation can also generate erroneous flame signals
- Fall or shock can adversely affect the safety functions. Such units must not be put into operation, even if they do not exhibit any damage

Mounting notes

- Ensure that the relevant national safety regulations are complied with

Installation notes

- Always run the high-voltage ignition cables separate while observing the greatest possible distance to the detector and to other cables

Electrical connection of the flame detector

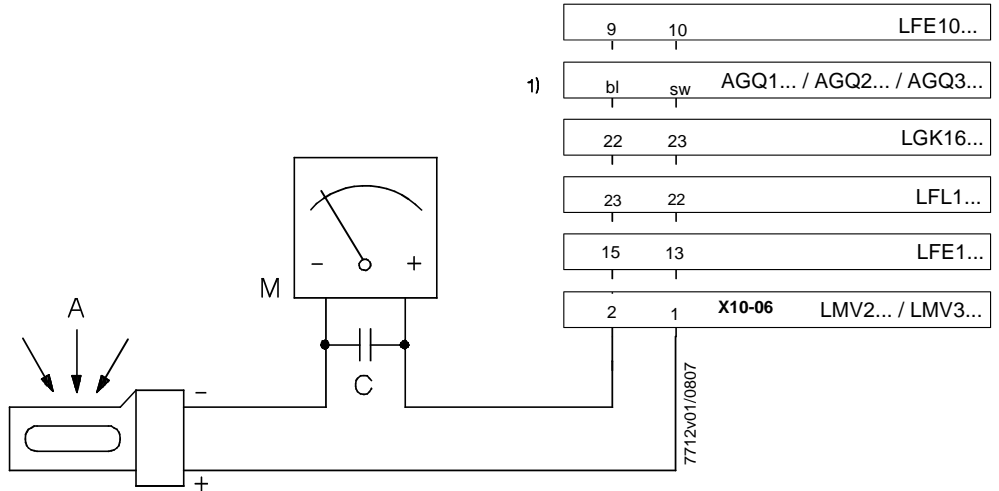
It is important to achieve practically disturbance- and loss-free signal transmission:

- Never run the detector cable together with other cables
 - Line capacitance reduces the magnitude of the flame signal
 - Use a separate cable
- Observe the permissible lengths of the detector cable (refer to «Technical data»)

Commissioning notes

- Trouble-free burner operation is ensured only when the intensity of UV radiation at the detector's location is high enough for the detector's UV cell to ignite during each half wave. The **intensity of UV radiation** at the detector's location is **checked through measurement of the detector current**

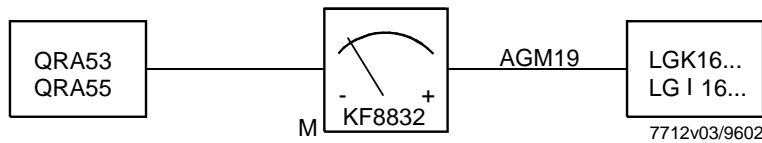
Measuring circuit for QRA2..., QRA10... and QRA5...of the D-series



Legend

- 1) Connection of micro-ammeter across AGQ1... / AGQ2... / AGQ3... adapter and flame detector
- A Incidence of radiation
- M Micro-ammeter (DC), internal resistance $\leq 5000 \Omega$
- C Electrolytic capacitor 100...470 μF , DC 10...25 V

Measuring circuit for QRA5... up to the C-series



Minimum detector current values required:

Refer to the Data Sheet of the relevant burner control or to the Operating Instructions of the KF8832.

Certificates

CE Conformity to EEC directives
- Electromagnetic compatibility EMC (immunity) 89 / 336 / EEC



ISO 9001: 2000
Cert. 00739



ISO 14001: 2004
Cert. 38233



Valid for QRA2...

For applications in U.S. / Canada, the flame detectors carry the **CSF** and **RA** markings.

Service notes

- Use the KF8832 service unit for short periods of time only

Disposal notes



The flame detector contains electrical and electronic components and must not be disposed of together with domestic waste. Local and currently valid legislation must be observed.

Mechanical design

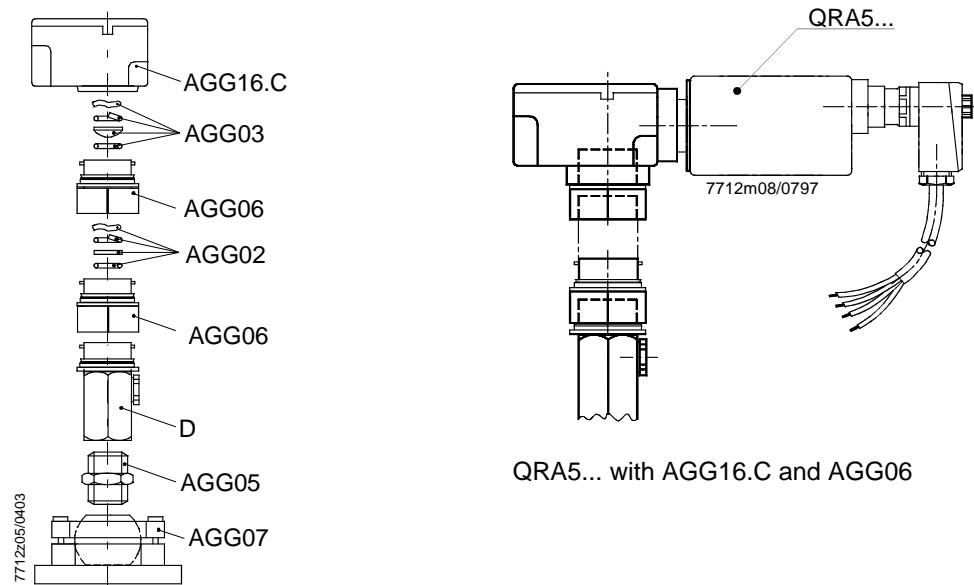
Flame detectors
QRA2... Plastic housing, metalized to prevent static charging caused by the air flow from the fan. For direct mounting on the burner. The detectors can be supplied with or without securing flange and clamp (refer to «Type summary»).

Flame detectors
QRA10... Die-cast aluminium housing with a 1 in. mounting coupling (D) and connection facility for cooling air. The housing of this detector has a bayonet fitting which allows it to be secured either directly to the 1 in. mounting coupling or to the AGG06 glass holder. The 1 in. mounting coupling can be screwed to a viewing tube or to the AGG07 ball head. The Pg cable gland can be removed and replaced, if some other detector cable shall be used.

Flame detectors
QRA5... The detector's UV cell is located behind a swiveling shutter at the front end of the detector tube which is flanged to the housing. A quartz-glass window protects the tube and the shutter against dirt. The detector's housing accommodates a stepper motor to drive the shutter and the electronics to control the shutter. Using the AGG16.C adapter, this flame detector can be mounted either directly on the burner, on a viewing tube or on a combustion chamber viewing hole.

Plug AGM19 AGM19 complete with cable for the connection of QRA53... and QRA55... flame detectors.

Adapter AGG16.C AGG16.C for QRA53..., QRA55..., made of die-cast aluminium with a 1 in. mounting coupling. The 1 in. mounting coupling (D) is attached to the housing with a bayonet fitting.



Note AGG03 or AGG02 can also be fitted in the 1 in. mounting coupling (D) of the AGG16.C (or QRA10...). An adapter combination with AGG06 glass holder, mounting coupling and ball joint for QRA53..., QRA55... and QRA10... is possible.

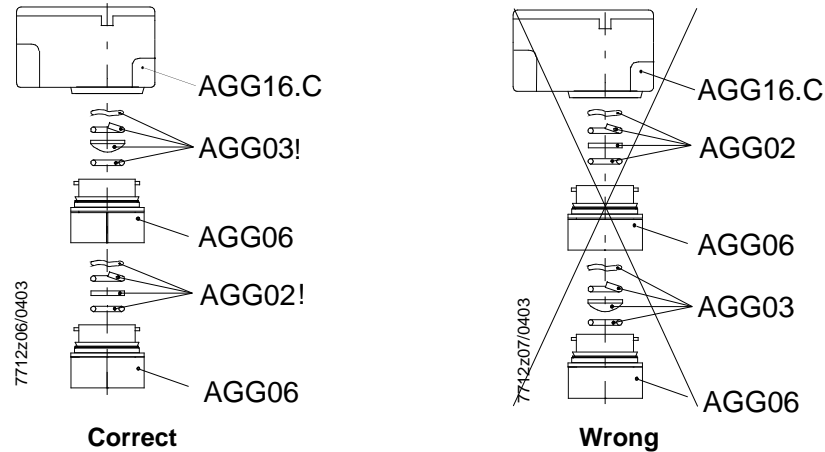
Glass and quartz-glass lens holder AGG06

The glass and quartz-glass lens holder AGG06 serves for holding the AGG03 lens and the AGG02 heat insulation glass.

The lens is used to increase the sensitivity, and the heat insulation glass provides protection against high temperatures, thus extending the life of the UV cell.

The AGG06 also allows various combinations of lens, heat insulation glass and 1 in. mounting coupling.

When using the lens and the heat insulation glass, the AGG06 with the lens must be mounted as close as possible to the flame detector.



AGG06 has a bayonet fitting with which it is attached either to the housing of the AGG16.C or to the housing of the QRA10... and the 1 in. mounting coupling.

By undoing the bayonet fittings on both sides, the AGG06 glass holder(s) can be easily detached from the combination of QRA10... or AGG16.C and QRA53... or QRA55....

This facilitates straightforward cleaning of the glass or lens without having to remove them from the AGG06 glass holder.

The intermediate rings are used for the smooth running of the bayonet fittings, especially where – after removal of the flame detector – the hole to the combustion chamber serves as a viewing tube.

By fitting the intermediate ring to the appropriate bayonet connection, the combination can be undone where required by rotating the housing of the QRA10... or AGG16.C

Quartz-glass lens AGG03

AGG03 with spring washer and O-ring for increasing the sensitivity.

Heat insulation glass AGG02

AGG02 with spring washer and O-ring, offering the same mounting choices as the AGG03.

This heat insulation glass is required on applications where the temperature at the flame detector exceeds 80 °C.

Mounting coupling (D)

Using the bayonet fitting, the 1 in. mounting coupling can be attached either to the AGG06, the AGG16.C or the QRA10... flame detector.

The mounting coupling is supplied with the QRA10... or AGG16.C.

Nipple AGG05

1 in. nipple AGG05 for connecting the 1 in. mounting coupling (D) to the AGG07 ball head.

Ball head AGG07

AGG07 with 1 in. internal thread.

Connection on AGG05 and for use with the 1 in. mounting coupling and the AGG06.

The AGG07 is used for mounting on a rigid surface, such as the boiler wall.

It facilitates optimum adjustment of the viewing angle.

Type summary

Flame detectors

Type reference	Sensitivity	Flange and clamp	Terminal cover	Spare UV tube
QRA2	Normal	Without	Black	AGR4 502 1131 0
QRA2(1)		With		
QRA2.9²⁾		Without		
QRA2M	High	Without	Green	AGR4 502 4065 0
QRA2M(1)		With		
QRA10.C	Normal	---	---	AGR4 502 1131 0
QRA10M.C	High	---	---	AGR4 502 4065 0

Type reference	Sensitivity	Detector tube length	Mains voltage	Spare UV tube
QRA53.C27	Normal	125 mm	AC 220...240 V	AGR4 502 4065 0
QRA53.C17			AC 100...110 V	
QRA53.D27	High		AC 220...240 V	
QRA53.D17			AC 100...110 V	
QRA55.C27	Normal	77 mm	AC 220...240 V	
QRA55.C17			AC 100...110 V	
QRA55.D27	High		AC 220...240 V	
QRA55.D17			AC 100...110 V	



Mounting Instruction for replacing of spare UV tube, refer to 4 319 9513 0 (M7712.5)!

Note

All QRA5... are delivered complete with clamp. Use of the detector requires a connecting cable **AGM19** (refer to «Accessories» for QRA5...).

Accessories for QRA2... and QRA5... when ordered as single items

Part	For use with	Part number
Flange ³⁾ rounded	QRA2...	4 241 8855 0
Flange straight	QRA2...	4 241 8898 0
Clamp ³⁾	QRA2...	4 199 8806 0
Clamp for direct mounting ⁴⁾	QRA5...	4 199 1034 0

Accessories for QRA5...

Type reference	Description
AGG16.C	Adapter for flame detector mounting QRA53... and QRA55...
AGM19	Connecting cable (2 m) with plug for QRA53..., QRA55...
KF8832	Unit for measuring the detector current with QRA53... and QRA55..., recommended for use with detector types up to the C-series

Type summary (cont'd)

Accessories for
QRA10... and AGG16.C

Type reference	Description
AGG02	Heat insulation glass with spring washer and O-ring
AGG03 ¹⁾	Quartz-glass lens with spring washer and O-ring
AGG05	1 in. nipple
AGG06	Glass and quartz-glass lens holder with intermediate ring
AGG07	Ball head with 1 in. internal thread, angular range 14°

AGG08	IP65-kit for QRA10... for different types of cable diameter								
<table border="1"> <thead> <tr> <th>Cable sealing element \varnothing in mm</th> <th>Color</th> </tr> </thead> <tbody> <tr> <td>4...6.5 mm</td> <td>Yellow</td> </tr> <tr> <td>6.5...9.5</td> <td>Black</td> </tr> <tr> <td>9...15</td> <td>Red</td> </tr> </tbody> </table>		Cable sealing element \varnothing in mm	Color	4...6.5 mm	Yellow	6.5...9.5	Black	9...15	Red
Cable sealing element \varnothing in mm	Color								
4...6.5 mm	Yellow								
6.5...9.5	Black								
9...15	Red								



AGG16.C



AGM19



AGG05



AGG06
with intermediate
ring



AGG07



AGG08



KF8832

Legend

- 1) For detectors of the B-series, lens AGG01 is available
- 2) With heat-resistant housing for ambient temperatures up to 200 °C (short-time, up to a few seconds)
- 3) Supplied with QRA2...(1) types
- 4) Supplied with QRA5... types

Ordering

When ordering, please give type references according to «Type summary».

Technical data

General detector data	Average life of UV cell	approx. 10,000 hours at max. 50 °C, higher ambient temperatures reduce considerably the cell's life
	Perm. combustion chamber pressure	
	- QRA10...	max. 50 mbar
	- QRA10... + AGG03 or AGG02	max. 500 mbar
	Degree of protection	
	- QRA2...	IP40
	- QRA10...	IP54 (IP65 with AGG08)
	- QRA53..., QRA55...	IP54
	Mounting position	optional
	Weight	
	- AGG01	approx. 10 g
	- AGG02	approx. 10 g
	- AGG03	approx. 10 g
- AGG05	approx. 170 g	
- AGG06	approx. 160 g	
- AGG07	approx. 1330 g	
- AGG16.C	approx. 650 g	
- QRA2...	approx. 60 g	
- QRA10...	approx. 740 g	
- QRA10... + AGG03	approx. 750 g	
- QRA53..., QRA55...	approx. 900 g	
Ignition cable (only QRA2...)	2 x 0.75 mm ² ; 5.1 mm dia.	
Environmental conditions	Storage	DIN EN 60721-3-1
	Climatic conditions	class 1K3
	Mechanical conditions	class 1M2
	Temperature range	-20...+60 °C
	Humidity	< 95 % r.h.
	Transport	DIN EN 60 721-3-2
	Climatic conditions	class 2K2
	Mechanical conditions	class 2M2
	Temperature range	-20...+60 °C
	Humidity	< 95 % r.h.
	Operation	DIN EN 60 721-3-3
	Climatic conditions	class 3K3
Mechanical conditions	class 3M3	
Temperature range	-20...+60 °C	
Humidity	< 95 % r.h.	



Condensation, formation of ice and ingress of water are not permitted!

Function

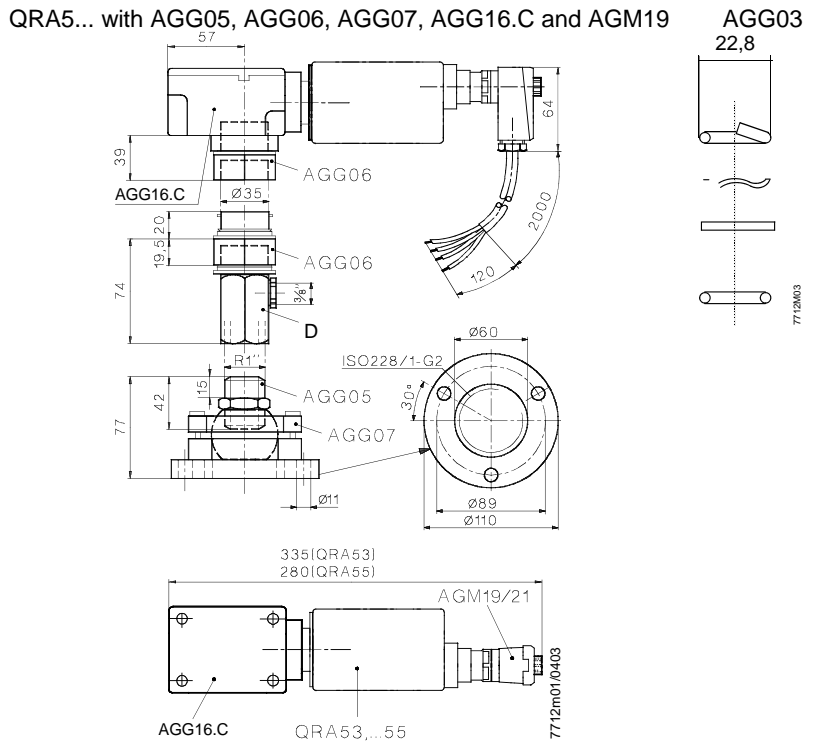
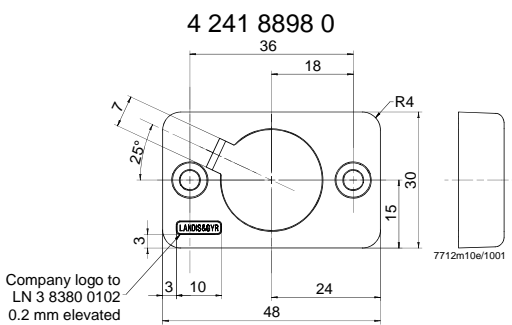
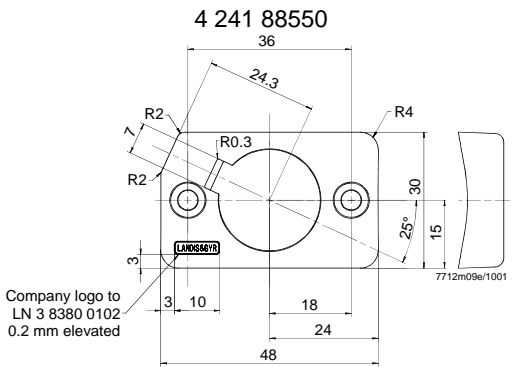
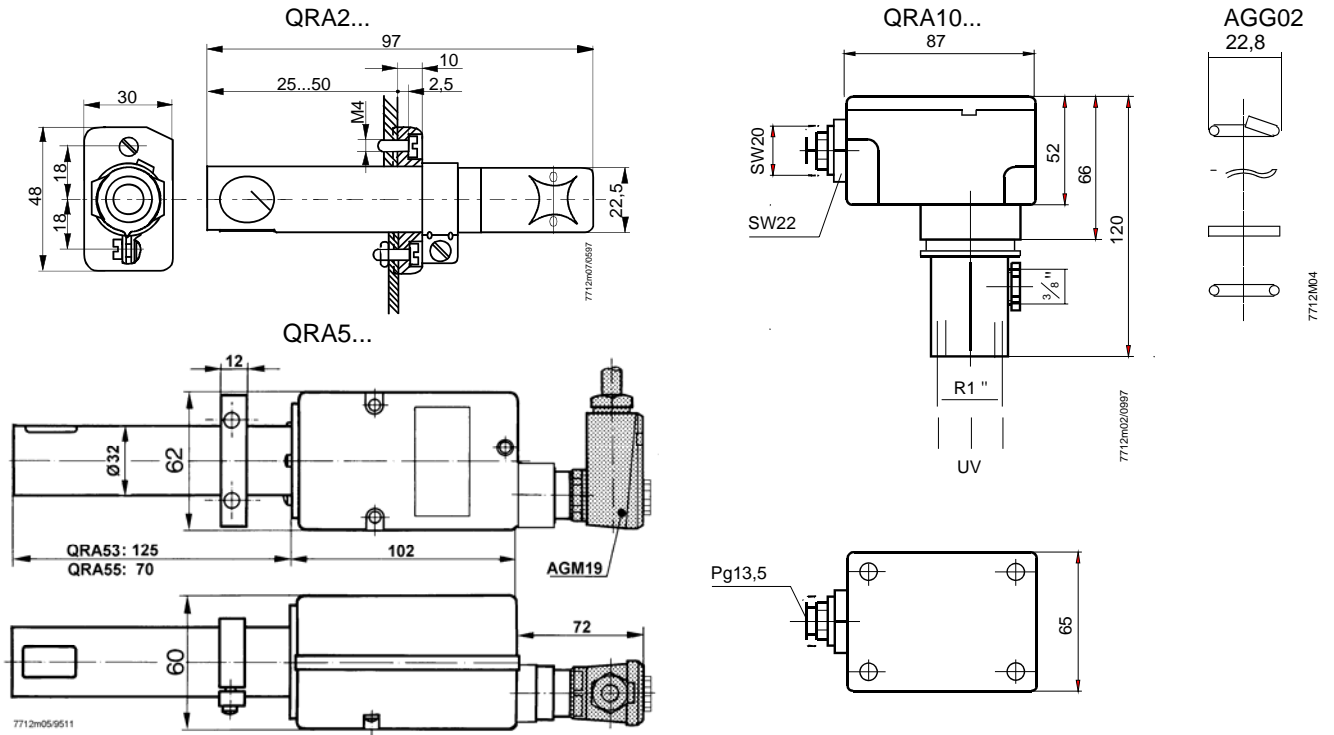
With this type of flame supervision, the UV radiation emitted by gas or oil flames is used to generate the flame signal.

The radiation detector consists of a UV-sensitive cell with 2 electrodes, which ignite when illuminated with radiation in the 190...270 nm range of the spectrum, thereby triggering a current in the flame detector circuit.

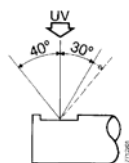
The UV cell does not respond to glowing firebrick in the combustion chamber, daylight or light from boiler room illumination.

Dimensions

Dimensions in mm



Incidence of radiation



Clamp for direct mounting on the burner or the AGG16.C

