



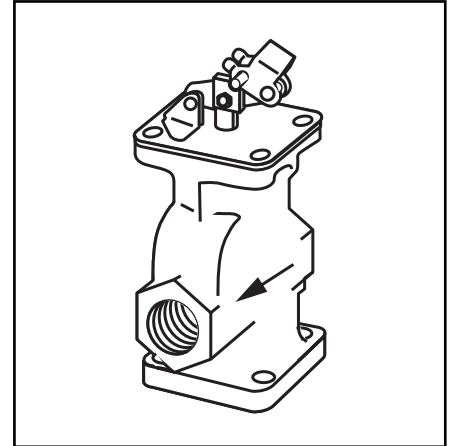
McDonnell & Miller
Installation & Maintenance
Instructions
MM-305(F)

**Valve, Cartridge and Strainer
Replacement Kit**



**Assembly Kit SA-47-101-102 for
Series 47, 247 and 847
Mechanical Water Feeders**

**Assembly Kit SA51-101-102 for
Series 51 and 851 Make-Up
Water Feeders**



⚠ WARNING



• Before using this product read and understand instructions.



• Save these instructions for future reference.



• All work must be performed by qualified personnel trained in the proper application, installation, and maintenance of plumbing, steam, and electrical equipment and/or systems in accordance with all applicable codes and ordinances.



• To prevent electrical shock, turn off the electrical power before working on the control.

• Relieve pressure and drain the water to a level below the control. Let boiler cool down to 80°F (27°C).



Failure to follow this warning could cause property damage, personal injury or death.

Engineered for life

INSTALLATION

TOOLS NEEDED:

One (1) long nose pliers, one (1) flathead screwdriver, and one (1) Allen wrench.

STEP 1 - Preparation

WARNING

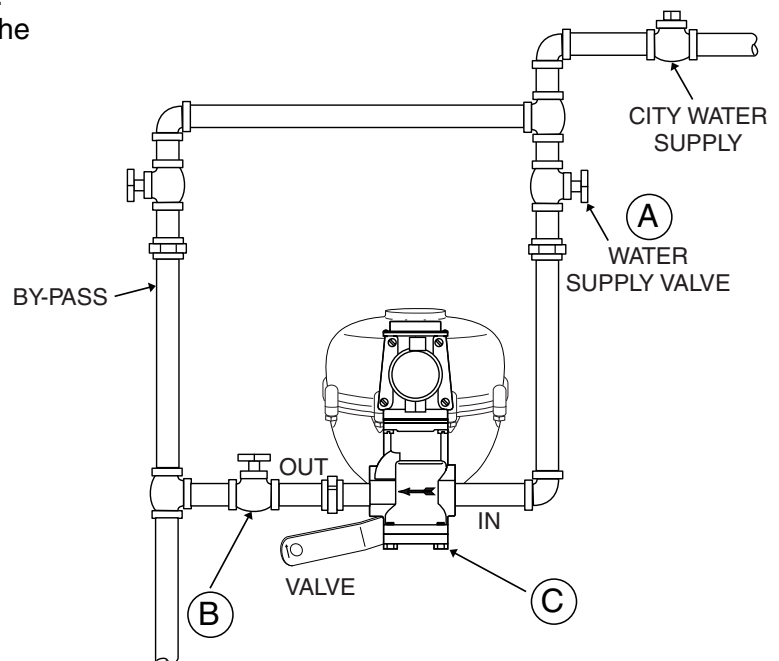


- To prevent electrical shock, turn off the electrical power before working on the control.
- Relieve the pressure and drain the boiler so that the water level is below the control. Allow the boiler to cool to 80°F (27°C).



Failure to follow this warning could cause property damage, personal injury or death.

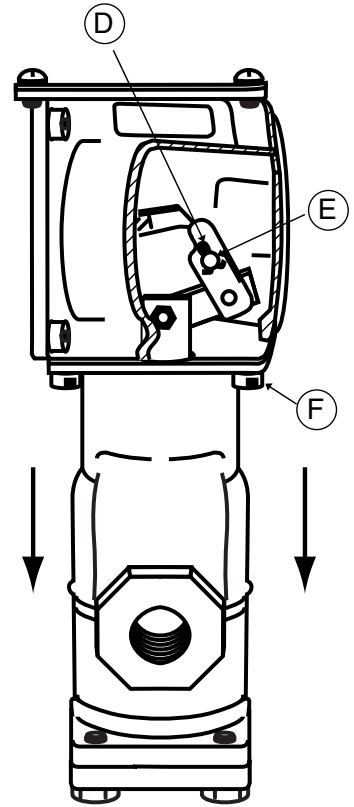
- a. Close the water supply valve (A) and (B).
Remove the inlet and outlet piping from the water feeder valve (C).



STEP 2 - Remove the Original Valve, Cartridge and Strainer

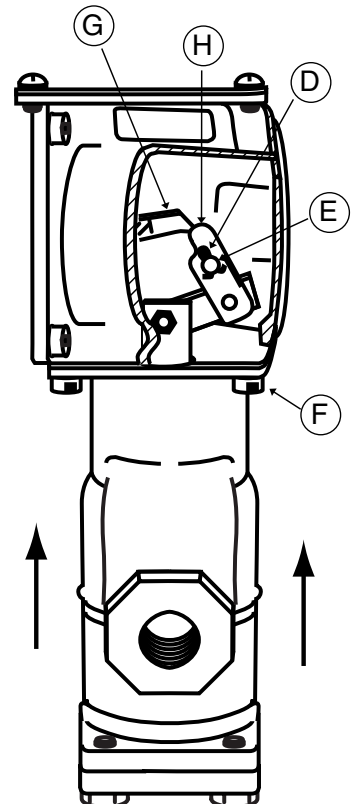
- a. Using long nose pliers, remove cotter pin (D) and pivot pin (E) and discard. Remove four (4) screws (F).

NOTE: Newer models have Allen screws.

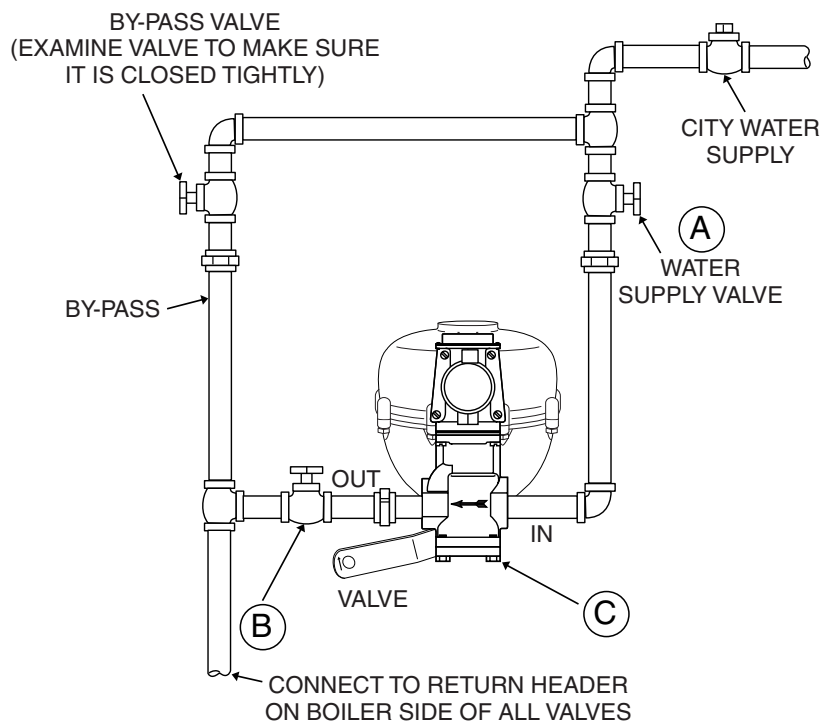


STEP 3 - Install the New Valve, Cartridge and Strainer

- 1a. For one-piece and two-piece float arms: with the valve linkage ears (H) straddling the float arm (G), install the valve. Reinstall the four (4) screws (F). Tighten to approximately 10 lb•ft (13.6 N•m) of torque.
- b. Align the float arm holes (G) with the valve linkage and insert the pivot pin. Insert new cotter pin (D) into new pivot pin (E) and bend the cotter pin.



2. Reinstall the inlet and outlet piping to the water feeder valve (C). **NOTE:** Model 47-C inlet and outlet are reversed. Open supply valve (A). Open supply valve (B). Following the installation instructions that came with the water feeder, check for proper operation. Make sure there are no leaks.



INSTALLATION COMPLETE

MAINTENANCE

SCHEDULE:

- **Disassemble and inspect the strainer annually.**
Thoroughly clean the strainer screen or replace.
- **Remove and inspect cartridge annually.**
Thoroughly clean by rinsing with clear water or replace.