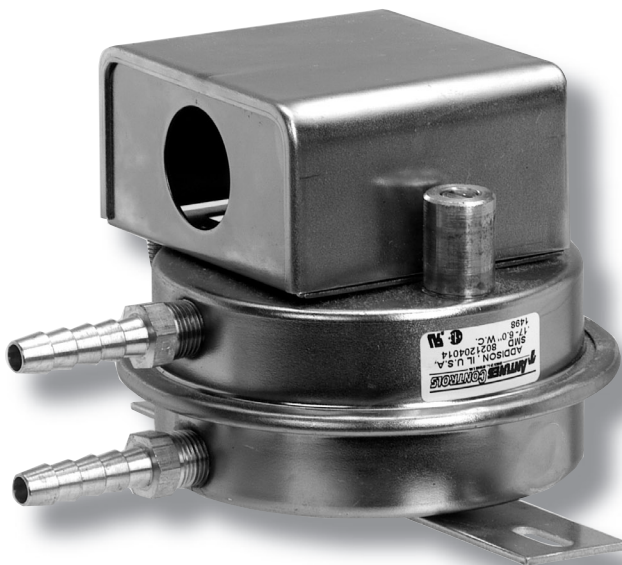


Air Pressure Switches

- Differential
 - Vacuum
 - Pressure
- Model - SMD

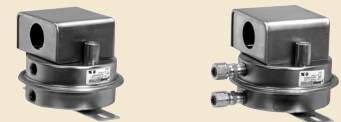


Model - SMD

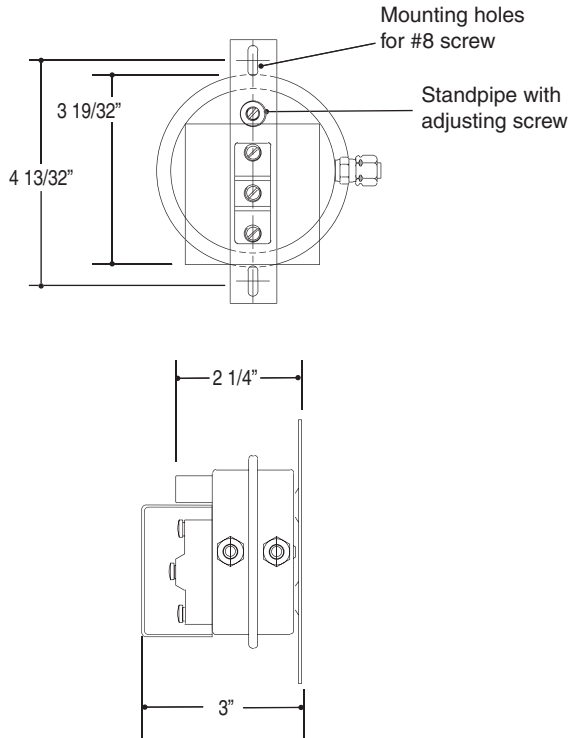
Antunes Controls is one of the leading manufacturers of pressure control switches. Our sheet metal air differential switches are compact, sensitive, and reliable. Their design is based on the same principles of reliability, repeatability and accuracy that has made our line of pressure switches so successful.

Features:

- Sensitive Diaphragm
- S.P.D.T. 10 Amp
- Industrial Construction
- Three Range Scales - from .17" W.C. to a maximum of 12" W.C.
- Easy to Install
- Cost Effective Pricing



Dimensions:



Electrical:

Ratings - All Models
10A @ 125VAC, 8A @ 250VAC, 7A @ 277VAC
1/8HP @ 125VAC, 1/4HP @ 250VAC
Pilot Duty - 125VA @ 125/277 VAC

Notes:

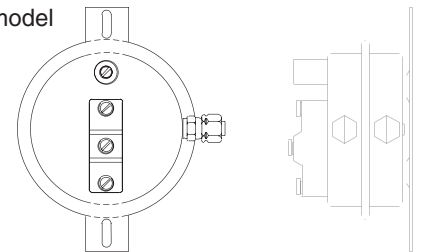
Standard mounting bracket is shown. For other mounting arrangements, contact factory.

Switch Differential @ 70° F

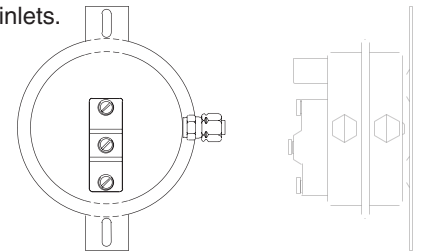
Differential	Operating Pressure Range
.015" to .03" W.C.	.17" - 1" W.C.
.5" W.C.	.17" - 6" W.C.
1.0 W.C.	.17" - 12" W.C.

Location of Inlets

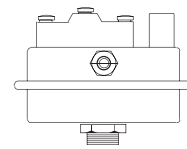
Adjustable differential model shown with side inlets.



Non-adjustable differential model shown with side inlets.



Adjustable differential model shown with one side inlet and machine thread adapter with nut. Specify 1/2"-14 NPSH or 3/4" NPSH.



All Models	Optional Fittings
Max. Surge Pressure 20" W.C.	1/4" Barb
Max. Ambient Temp. 170° F	1/4" Tube
Max. Ambient Temp. -40° F	1/2" Compression

Limitation of Liability. If it is understood and agreed that seller's liability whether in contract, in tort, under any warranty, in negligence or otherwise, shall not exceed the return of the amount of the purchase price paid by purchaser and under no circumstances shall seller be liable for special, indirect or consequential damages. The price stated for the equipment is a consideration in limiting seller's liability. No action, regardless of form, arising out of the transactions may be brought by purchaser more than one year after the cause of action has accrued.